

LED

IP 66



IK08



- Robust light alloy enclosure weighs only 3,8 kg
- Estimated service life 70 000 hours
- LED module with 100lm/W



CONSTRUCTION

Housing: aluminium powder painted casting
 Diffuser: borosilicate glass,
 Accessories: assembly kit for wall, pipe and ceiling mounting

TECHNICAL DATA

Certificate:	In progress
Marking:	CE 0722
Apparatus category:	II 2G
Marking of explosion protection:	Ex e mb IIC T5 Gb
Ambient temperature:	$-20^{\circ}\text{C} \leq T_a \leq +40^{\circ}\text{C}$
Degree of protection:	IP 66 category 1
Resistance to shock:	IK 08
Protection class :	I (protective earthing)
Rated voltage:	230 V
Frequency:	50Hz (60Hz on request)
Rated power:	30 W
Connecting terminals:	terminals L1 + N for $2 \times 4 \text{ mm}^2$ terminals PE for $2 \times 4 \text{ mm}^2$
Cable entry:	2x M25 (1x M25 Ex e cable gland for cable 7-15mm, 1x Exe M25 plug)
Weight:	3,8 kg

MOUNTING

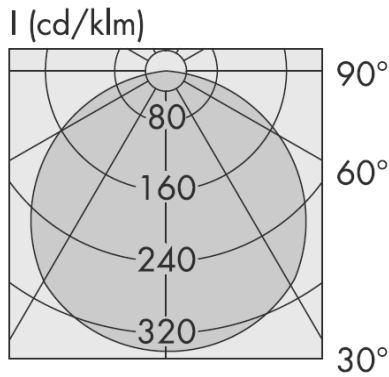
Pendant, on pipe, wall, ceiling

Pendant LED light fitting

MODEL CODE

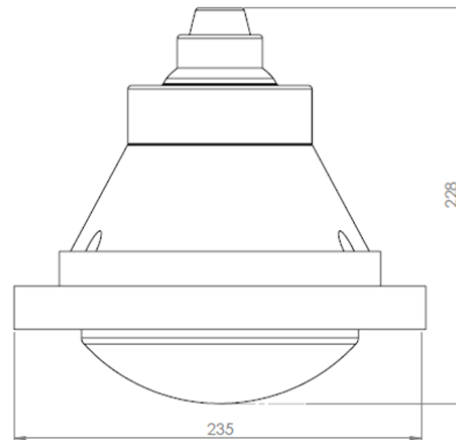
MODEL CODE	POWER CONSUMPTION [W]	VOLTAGE [V]	LUMINOUS FLUX [lm]	LIGHT OUTPUT RATIO η
0401.35 LED 30	30 W	230V	3000	0,85

POLAR CURVE



LED module
30W, 2850 lm

DIMENSION DRAWING



SPARE PARTS AND ACCESSORIES

SKETCH	DESCRIPTION	CODE	SKETCH	DESCRIPTION	CODE
	Replacement glass 0401.35 LED	0401.35 LED 10-130		Ex e cable gland M25	SPU 25
	LED module 30W	0401.35 LED 10-110		Gasket 0401.35	0401.35 LED 10-120

Example of equivalent "traditional" light sources with Ex LED

LED		HME (mercury)		HIE (metal halide)		QT (halogen)	
0401.35 LED 30	30W 100 lm/W	PLFS-T	80W 50 lm/W	PLFS-T 100	70W 80 lm/W	PLFS-T 200	230W 18 lm/W

The given information is for rough orientation only. In each individual case a lighting calculation is necessary.

All technical data is relevant at the time of print.