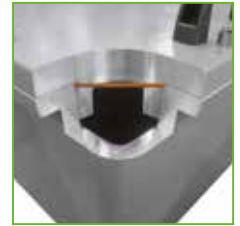




# EJC™ Enclosures

**Installation:** hazardous areas - Zone 1 / 2 (Gases) - Zone 21 / 22 (Dusts)

**Classification:** Group II - Category 2G 2D



## REFERENCE STANDARDS

**Directive 94/9/EC (until April 19th, 2016) and Directive 2014/34/EU (from April 20th, 2016)**

EXECUTION	<ul style="list-style-type: none"> <li>⊗ II 2 G Ex db IIC T6...T3</li> <li>⊗ II 2 G Ex db [ia/ib] IIC T6</li> <li>⊗ II 2 D Ex tb IIIC T85°C...T150°C</li> <li>⊗ II 2 D Ex tb [ia/ib] IIIC T85°C</li> </ul>
RULES OF COMPLIANCE	EN/IEC 60079-0; EN/IEC 60079-1; EN/IEC 60079-11; EN/IEC 60079-31
EC Type-Examination Certificate	BKI 11 ATEX 0019
PROTECTION DEGREE	IP66
AMBIENT TEMPERATURE	-60°C ÷ +80°C
OTHER AVAILABLE CERTIFICATES	IECEX: IECEX BKI 11.0010 INMETRO: CEPEL 12.2137 EAC: TC RU C-IT.Г508.B.01499 (-60°C ÷ +60°C) RUSSIAN MARINE CERTIFICATE (RMRS): 13.03518.315

### Mechanical characteristics

Body/cover	marine grade copper free aluminium light alloy
Screws	stainless steel
Internal mounting plate	hot dip galvanized steel
Fixing	fixing lugs al uni 4514
Opening handle	insulating material fixed on cover by stainless steel screws
Valves	Drain and breather stainless steel AISI-316L

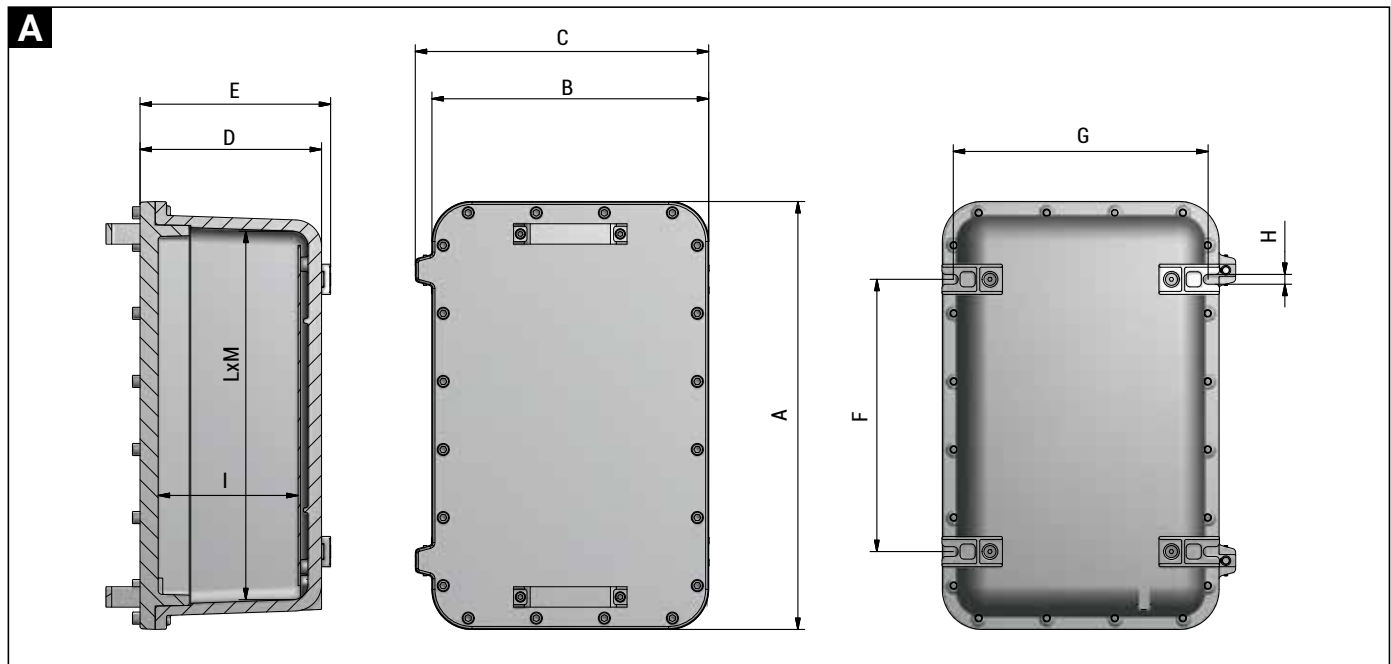
### On Request Accessories:

- External epoxy painting (any colours)
- Internal anticondensate painting orange RAL-2004
- O-Ring gaskets on cover
- Glass windows on cover

# EJC™ Technical features

CODE	A [mm]	B [mm]	C [mm]	D [mm]	E [mm]	F [mm]	G [mm]	H [mm]	I [mm]	L [mm]	M [mm]	INT. PLATE X-Y [mm]	WEIGHT [Kg]	DETAIL
EJC-21	285	245	267	171	161	170	221	11	113	216	176	180 x 140	12,00	A
EJC-30	415	315	338	156	146	294	285	11	94	344	244	300 x 200	21,00	A
EJC-31	415	315	338	238	228	294	285	11	176	344	244	300 x 200	25,00	A
EJC-51	566	366	388	252	240	360	337	13	185	487	287	450 x 250	40,00	A
EJC-61	668	468	490	355	343	500	443	13	277	580	380	530 x 330	80,00	A
EJC-63	668	468	490	229	217	500	443	13	151	580	380	530 x 330	66,00	A

## Reference details



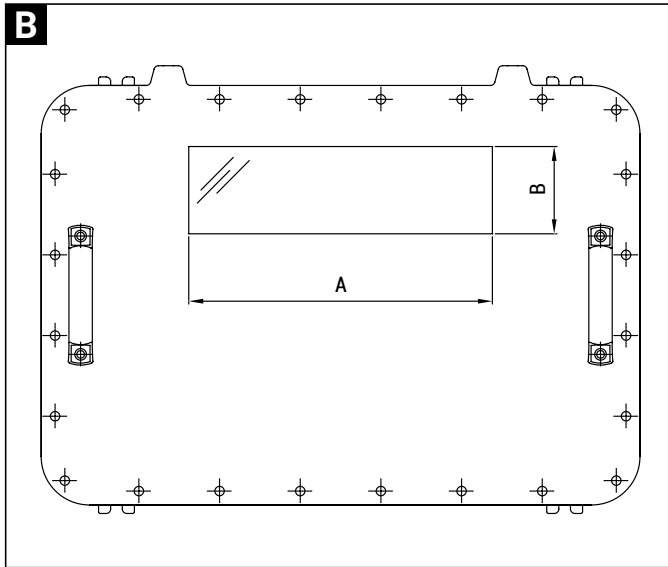
## EJC™ Glass windows on cover

WINDOW CODE	ENCLOSURE CODE				WINDOW DIMENSIONS		DETAIL
	EJC-21	EJC-30/31	EJC-51	EJC-61/63	A [mm]	B [mm]	
F1	X	X	X	X	60	60	B
F2	X	X	X	X	75	75	B
F3	X	X	X	X	110	75	B
F4	X	X	X	X	150	75	B
F5	-	X	X	X	150	150	B
F6	-	-	X	X	300	75	B
F7	-	-	X	X	300	150	B
F8	-	-	-	X	300	300	B
F9	-	-	-	X	450	300	B

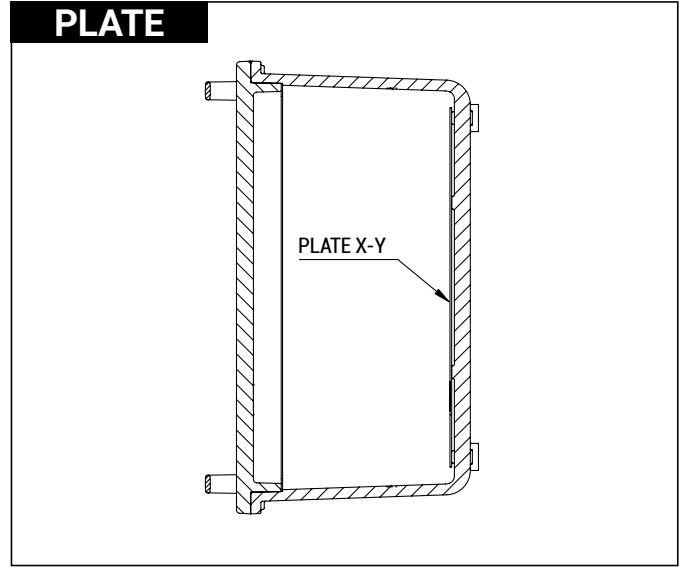


# EJC™ Glass windows on cover

Reference details

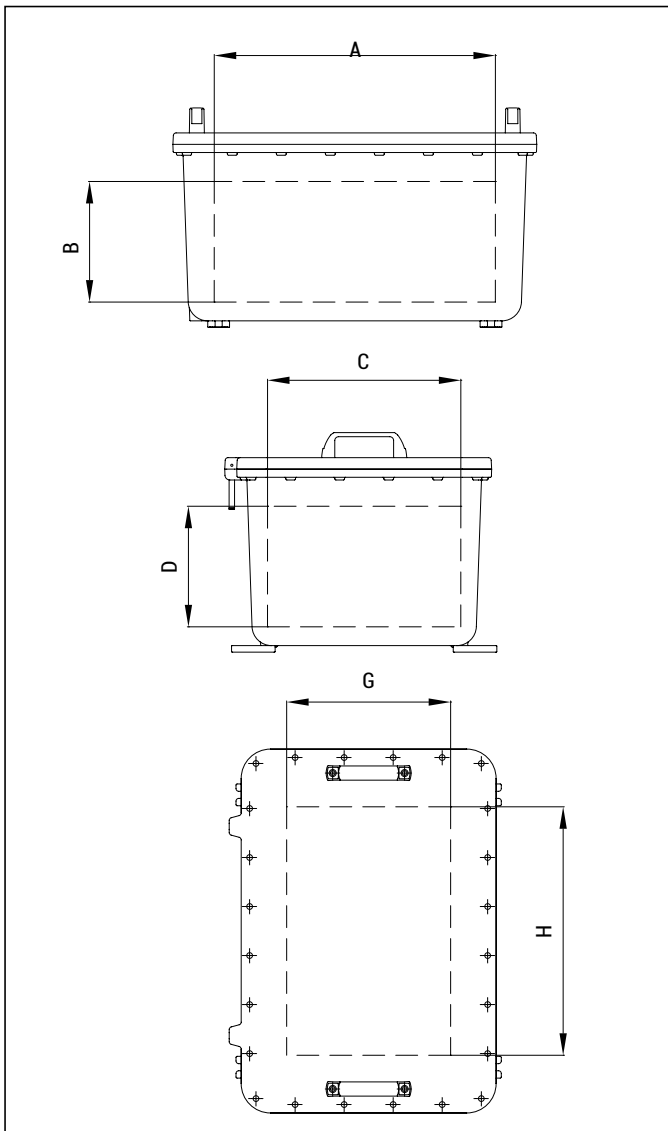


Reference details



# EJC™ Body and cover enclosures drilling layout

Reference details



ENCLOSURE CODE	DRILLING AREA A-B [mm]	QUANTITY ALLOWED ENTRIES FOR SIZE (from 1 to size 8)							
		1	2	3	4	5	6	7	8
EJC-21	200 x 75	8	4	3	3	2	2	2	/
EJC-30	320 x 50	7	6	5	5	/	/	/	/
EJC-31	320 x 145	21	18	14	11	8	6	3	2
EJC-51	460 x 140	33	26	16	14	12	7	4	3
EJC-61	550 x 230	60	40	27	24	14	14	10	8
EJC-63	550 x 110	35	20	18	15	10	7	5	4

ENCLOSURE CODE	DRILLING AREA C-D [mm]	QUANTITY ALLOWED ENTRIES FOR SIZE (from 1 to size 8)							
		1	2	3	4	5	6	7	8
EJC-21	160 x 75	6	3	3	2	2	1	1	/
EJC-30	225 x 50	5	4	4	3	/	/	/	/
EJC-31	225 x 145	15	12	9	8	6	4	2	1
EJC-51	255 x 140	18	14	8	8	6	4	2	2
EJC-61	350 x 230	40	24	18	15	8	8	6	6
EJC-63	350 x 110	23	12	12	9	6	4	3	3

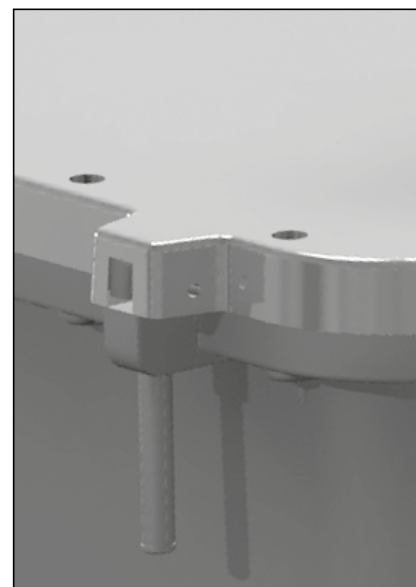
ENCLOSURE CODE	DRILLING AREA E-F [mm]	MAX OPERATORS PERMITTED
EJC-21	200 x 155	12
EJC-30	305 x 205	30
EJC-31	305 x 205	30
EJC-51	460 x 260	54
EJC-61	540 x 360	56
EJC-63	540 x 360	56



# EJC™ Indicative quantity of terminals and relevant section

CODE	SECT. 2,5	SECT. 6,0	SECT. 10,0	SECT. 16,0	SECT. 35,0	SECT. 50,0	SECT. 70,0	SECT. 240,0	INT. PLATE X - Y
	[sq/mm]	[sq/mm]	[sq/mm]	[sq/mm]	[sq/mm]	[sq/mm]	[sq/mm]	[sq/mm]	[mm]
EJC-21	30 x 1	20 x 1	14 x 1	12 x 1	8 x 1	6 x 1	2 x 1	1 x 1	180 x 140
EJC-30	52 x 2	32 x 2	24 x 2	20 x 2	14 x 2	12 x 1	8 x 1	4 x 1	300 x 200
EJC-31	52 x 2	32 x 2	24 x 2	20 x 2	14 x 2	12 x 1	8 x 1	4 x 1	300 x 200
EJC-51	80 x 2	46 x 2	36 x 2	30 x 2	22 x 2	18 x 2	16 x 1	6 x 1	450 x 250
EJC-61	92 x 3	58 x 3	46 x 3	38 x 3	28 x 3	26 x 2	22 x 2	12 x 1	530 x 330
EJC-63	92 x 3	58 x 3	46 x 3	38 x 3	28 x 3	26 x 2	22 x 2	12 x 1	530 - 330

## EJC™ Flamepath detail



REMARK:

Due to the development of the national and international specifications and of the technology, the above technical characteristics showed on this bulletin can be considered as binding on our confirmation only.