



GUA - EAHF

Junction and pulling boxes

Installation: hazardous areas: hazardous areas - Zone 1 / 2 (Gases) - Zone 21 / 22 (Dusts)

Classification: Group II - Category 2G 2D



GUA - EAHF

www.feam-ex.com



REFERENCE STANDARDS

Directive 94/9/EC (until April 19th, 2016) and Directive 2014/34/EU (from April 20th, 2016)

EXECUTION	<ul style="list-style-type: none"> ⊗ II 2 G Ex d IIC T6...T3 Gb ⊗ II 2 G Ex e IIC T6...T3 Gb ⊗ II 2 D Ex tb IIIC T85°C...T200°C Db
RULES OF COMPLIANCE	EN/IEC 60079-0; EN/IEC 60079-1; EN/IEC 60079-7; EN/IEC 60079-31
EC Type-Examination Certificate	INERIS 03 ATEX 0048X
PROTECTION DEGREE	IP66
AMBIENT TEMPERATURE	-60°C ÷ +130°C
OTHER AVAILABLE CERTIFICATES	<ul style="list-style-type: none"> Component: INERIS 10 ATEX 9005U IECEx: IECEx INE 12.0021X Component: IECEx INE 12.0023U INMETRO: CEPEL 12.2193 Component INMETRO: CEPEL 12.2191U EAC: TC RU C-IT.ГБ08.В.01499 RUSSIAN MARINE CERTIFICATE (RMRS): 13.03518.315 UL NEC-505: 20131030-E365676

Mechanical characteristics

Body	marine grade copper free aluminum - stainless steel AISI316L (size 17/27/37 only)
Cover	marine grade copper free aluminum - stainless steel AISI316L (size 17/27/37 only)
Screws	esterna in acciaio inossidabile
Gasket	O-Ring sealing NBR

On Request Accessories:

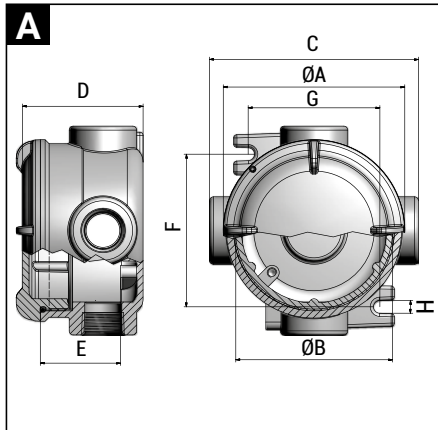
- External epoxy painting with colour on request
- Internal anticondensate painting orange RAL-2004



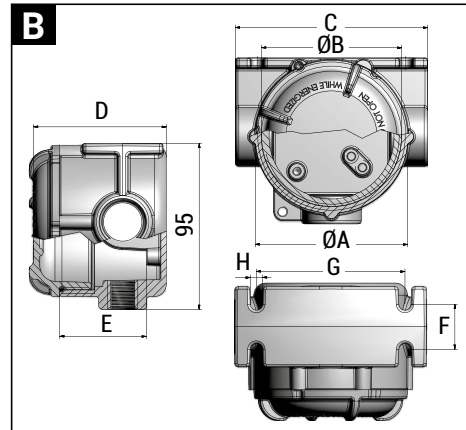
GUA - EAHF Technical features

CODE	Ø A [mm]	Ø B [mm]	C [mm]	D [mm]	E [mm]	F [mm]	G [mm]	H [mm]	WEIGHT [Kg]	DETAIL
GUA...16	87	77	100	75	40	70	70	7	0,60	A
GUA...17	113	100	130	79	50	95	82	9	0,90	A
GUA...26	87	77	100	75	40	70	70	7	0,60	A
GUA...27	113	100	130	79	50	95	82	9	0,90	A
GUA...36	87	77	100	75	40	70	70	7	0,60	A
GUA...37	113	100	130	79	50	95	82	9	0,90	A
GUA...59	154	135	169	110	75	100	130	7,5	1,30	A
GUA...69	154	135	169	110	75	100	130	7,5	1,30	A
GUAY59	154	135	169	110	75	155	80	9	1,30	C
EAHF26	87	77	110	76	50	26	85	7	0,50	B

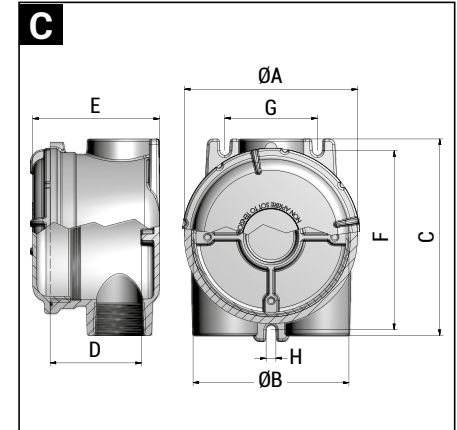
GUA - Reference details



EAHF - Reference details



GUAY - Reference details



GUA - EAHF Hubs arrangement

REFERENCE DETAILS	COMPLETE CODE	HUBS SIZE	REFERENCE DETAILS	COMPLETE CODE	HUBS SIZE
	GUAB16	2 x 1/2"		GUAW16	4 x 1/2"
	GUAB17	2 x 1/2"		GUAW17	4 x 1/2"
	GUAB26	2 x 3/4"		GUAW26	4 x 3/4"
	GUAB27	2 x 3/4"		GUAW27	4 x 3/4"
	GUAB36	2 x 1"		GUAW36	4 x 1"
	GUAB37	2 x 1"		GUAW37	4 x 1"
	GUAB59	2 x 1-1/2"		GUAW59	4 x 1-1/2"
	GUAB69	2 x 2"		GUAW69	4 x 2"
		GUAL16		2 x 1/2"	
GUAL17		2 x 1/2"	GUAD17	3 x 1/2"	
GUAL26		2 x 3/4"	GUAD26	3 x 3/4"	
GUAL27		2 x 3/4"	GUAD27	3 x 3/4"	
GUAL36		2 x 1"	GUAD36	3 x 1"	
GUAL37		2 x 1"	GUAD37	3 x 1"	
GUAL59		2 x 1-1/2"	GUAD59	3 x 1-1/2"	
GUAL69		2 x 2"	GUAD69	3 x 2"	
		GUAC16	2 x 1/2"		
	GUAC17	2 x 1/2"			
	GUAC26	2 x 3/4"			
	GUAC27	2 x 3/4"			
	GUAC36	2 x 1"			
	GUAC37	2 x 1"			
	GUAC59	2 x 1-1/2"			
	GUAC69	2 x 2"			
		GUAT16	3 x 1/2"		
GUAT17		3 x 1/2"	GUAM17	3 x 1/2"	
GUAT26		3 x 3/4"	GUAM26	3 x 3/4"	
GUAT27		3 x 3/4"	GUAM27	3 x 3/4"	
GUAT36		3 x 1"	GUAM36	3 x 1"	
GUAT37		3 x 1"	GUAM37	3 x 1"	
GUAT59		3 x 1-1/2"	GUAM59	3 x 1-1/2"	
GUAT69		3 x 2"	GUAM69	3 x 2"	
		EAHF26	3 x 3/4"		
	GUAX16	4 x 1/2"	GUAJ17		5 x 1/2"
	GUAX17	4 x 1/2"	GUAJ26		5 x 3/4"
	GUAX26	4 x 3/4"	GUAJ27		5 x 3/4"
	GUAX27	4 x 3/4"	GUAJ36		5 x 1"
	GUAX36	4 x 1"	GUAJ37		5 x 1"
	GUAX37	4 x 1"	GUAJ59		5 x 1-1/2"
	GUAX59	4 x 1-1/2"	GUAJ69		5 x 2"
	GUAX69	4 x 2"			