



GUB INX Enclosures

Installation: hazardous areas - Zone 1 / 2 (Gases) - Zone 21 / 22 (Dusts)

Classification: Group II - Category 2G 2D



Certificate
NEMA Type 4X



REFERENCE STANDARDS

Directive 94/9/EC (until April 19th, 2016) and Directive 2014/34/EU (from April 20th, 2016)

EXECUTION	<ul style="list-style-type: none"> ⊗ II 2 G Ex d IIC T6...T3 ⊗ II 2(1) GD Ex d [ia/ib IIA or IIB or IIC Ga] IIC T6...T3 ⊗ II 2 D Ex tb IIIC T85°C...T200°C ⊗ II 2 D Ex tb [ia Da/ib] IIIC T85°C
RULES OF COMPLIANCE	EN/IEC 60079-0; EN/IEC 60079-1; EN/IEC 60079-11; EN/IEC 60079-31
EC Type-Examination Certificate	INERIS 13 ATEX 0021X
PROTECTION DEGREE	IP66
AMBIENT TEMPERATURE	-60°C ÷ +80°C
OTHER AVAILABLE CERTIFICATES	Component: INERIS 13 ATEX 9018U IECEx: IECEx INE13.0069X Component: IECEx INE 13.0082U INMETRO: CEPEL 12 2141 EAC: TC RU C-IT.Г508.B.01499 RINA: ELE18111CS_017 RUSSIAN MARINE CERTIFICATE (RMRS): 13.03518.315 UL NEC-505: 20141112-E465037 - Type rating NEMA 1, 12, 4 and 4X

Mechanical characteristics

Body	stainless steel AISI-316L
Cover	stainless steel AISI-316L
Internal plate	stainless steel AISI-316L
Fixing	fixing lugs stainless steel AISI-316L welded on enclosure body

On Request Accessories:

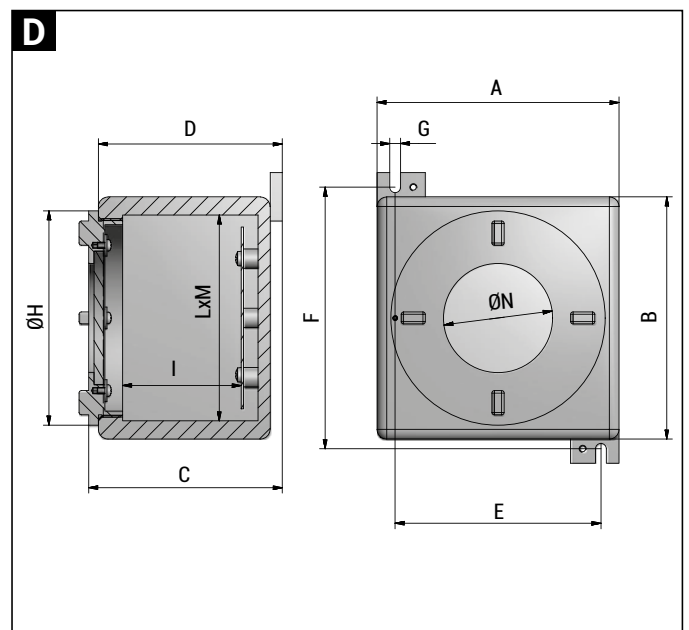
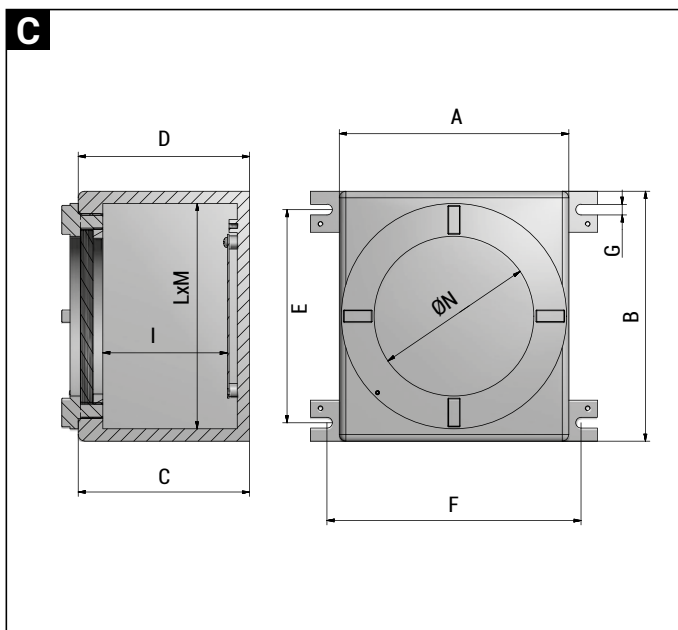
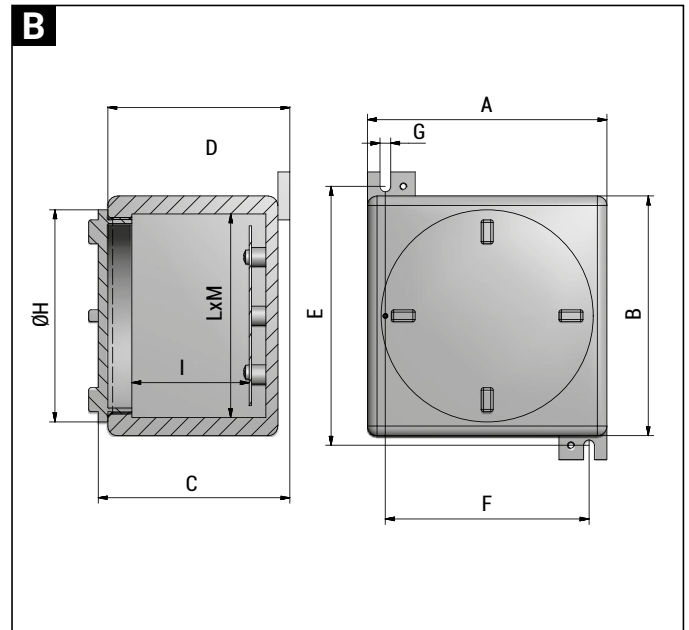
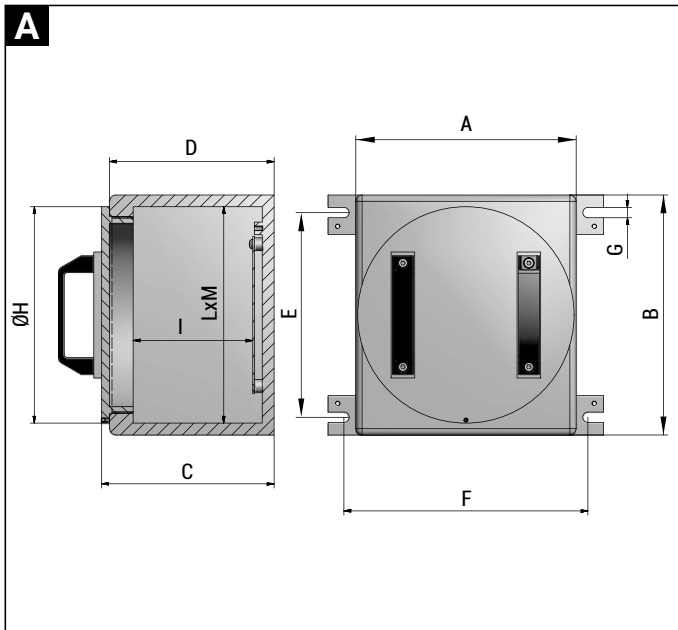
- External epoxy painting with colour on request
- Internal anticondensate painting orange RAL-2004
- O-Ring gaskets on cover
- Glass windows on cover
- Drain and breather valves



GUB INX Technical features

CODE	A [mm]	B [mm]	C [mm]	D [mm]	E [mm]	F [mm]	Ø G [mm]	H [mm]	I [mm]	L [mm]	Ø M [mm]	Ø N [mm]	INT.PLATE X - Y [mm]	WEIGHT [Kg]	DETAIL
GUE1	135	135	100	92	152	105	7	113	47	111	111	-	-	7,00	B
GUB0	170	170	141	133	185	145	9	154	82	140	140	-	110 - 110	13,00	B
GUB1	200	200	160	152	216	170	9	177	98	170	170	-	150 - 150	19,00	B
GUB03	280	310	219	209	260	310	13	275	152	250	280	-	220 - 220	50,00	A
GUB23	310	270	165	157	235	350	12	224	110	290	250	-	180 - 180	32,00	B
GUB4	420	420	234	226	380	460	13	405	148	390	390	-	280 - 280	83,00	A
GUB5	600	600	320	310	550	630	13	600	203	550	550	-	490 - 490	280,00	A
GUBW1	200	200	160	152	216	170	9	177	98	170	170	90	150 - 150	19,00	D
GUBW03	280	310	219	209	260	310	13	275	152	250	280	195	220 - 220	50,00	C
GUBW23	310	270	165	157	235	350	12	224	110	290	250	150	180 - 180	32,00	D
GUBW4	420	420	234	226	380	460	13	405	148	390	390	230	280 - 280	83,00	C

Reference details



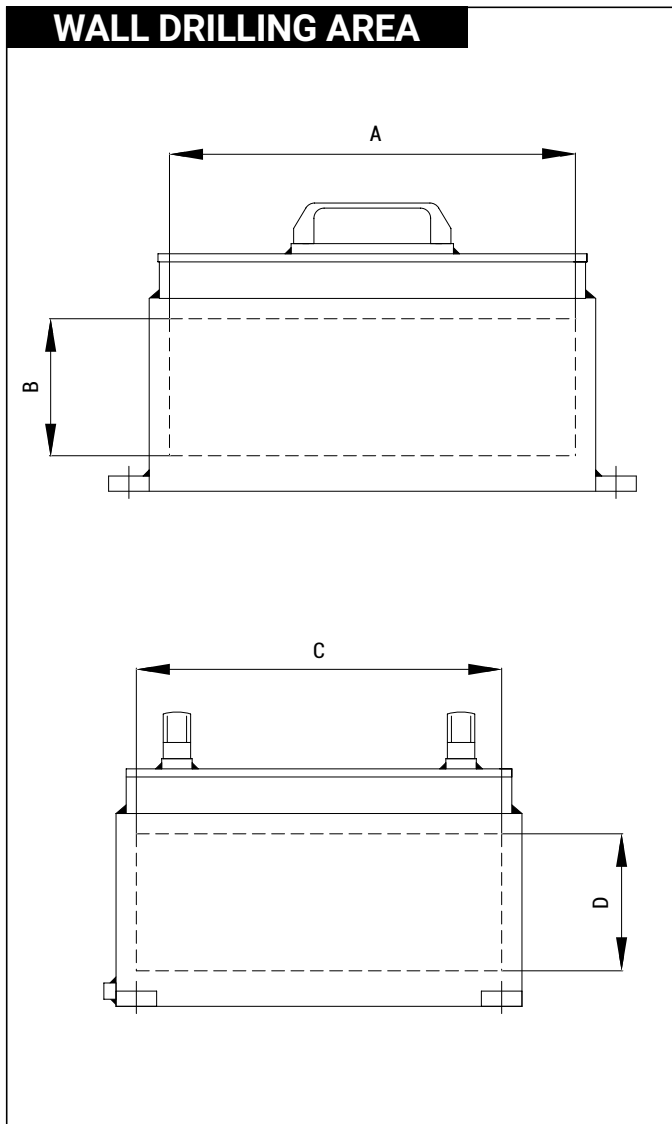


GUB INX Body enclosures drilling layout

ENCLOSURE CODE	DRILLING AREA A-B [mm]	QUANTITY ALLOWED ENTRIES FOR size (from 1 to size 8)							
		1	2	3	4	5	6	7	8
GUE1 INX	102x50	2	1	1	1	/	/	/	/
GUB0 INX	128x80	6	3	2	2	1	1	1	/
GUB1 INX	148x87	6	3	3	2	2	1	1	/
GUB03 INX	263x120	15	11	9	8	6	4	2	2
GUB23 INX	270x97	11	10	8	6	4	3	2	/
GUB4 INX	350x140	23	18	14	11	10	7	4	3
GUB5 INX	550x195	45	36	27	24	18	12	6	3
GUBW1 INX	148x87	6	3	3	2	2	1	1	/
GUBW03 INX	263x120	15	11	9	8	6	4	2	2
GUBW23 INX	270x97	11	10	8	6	4	3	2	/
GUBW4 INX	350x140	23	18	14	11	10	7	4	3

DRILLING AREA C-D [mm]	QUANTITY ALLOWED ENTRIES FOR size (from 1 to size 8)							
	1	2	3	4	5	6	7	8
102x50	2	1	1	1	/	/	/	/
128x80	6	3	2	2	1	1	1	/
148x87	6	3	3	2	2	1	1	/
238x120	12	9	8	6	6	3	2	2
230x97	9	8	8	5	3	3	2	/
350x140	23	18	14	11	10	7	4	3
550x195	45	36	27	24	18	12	6	3
148x87	6	3	3	2	2	1	1	/
238x120	12	9	8	6	6	3	2	2
230x97	9	8	8	5	3	3	2	/
350x140	23	18	14	11	10	7	4	3

Reference details



Reference details

