



EMH9 Instrument housing

Installation: hazardous areas - Zone 1 / 2 (Gases) - Zone 21 / 22 (Dusts)

Classification: Group II - Category 2G 2D



REFERENCE STANDARDS

Directive 94/9/EC (until April 19th, 2016) and Directive 2014/34/EU (from April 20th, 2016)

EXECUTION	⊗ II 2 G Ex d IIC T6 Gb ⊗ II 2 D Ex tb IIIC T85°C Db
RULES OF COMPLIANCE	EN/IEC 60079-0; EN/IEC 60079-1; EN/IEC 60079-31
EC Type-Examination Certificate	INERIS 02 ATEX 0069X
PROTECTION DEGREE	IP66
AMBIENT TEMPERATURE	-40°C ÷ +60°C
OTHER AVAILABLE CERTIFICATES	IECEX: IECEX INE 14.0014X EAC: TC RU C-IT.ГБ08.B.01499 (-60°C ÷ +60°C) RUSSIAN MARINE CERTIFICATE (RMRS): 13.03518.315

Mechanical characteristics

Body	marine grade copper free aluminum
Cover	marine grade copper free aluminum
Round window	transparent tempered glass
Gasket	NBR O-Ring sealing

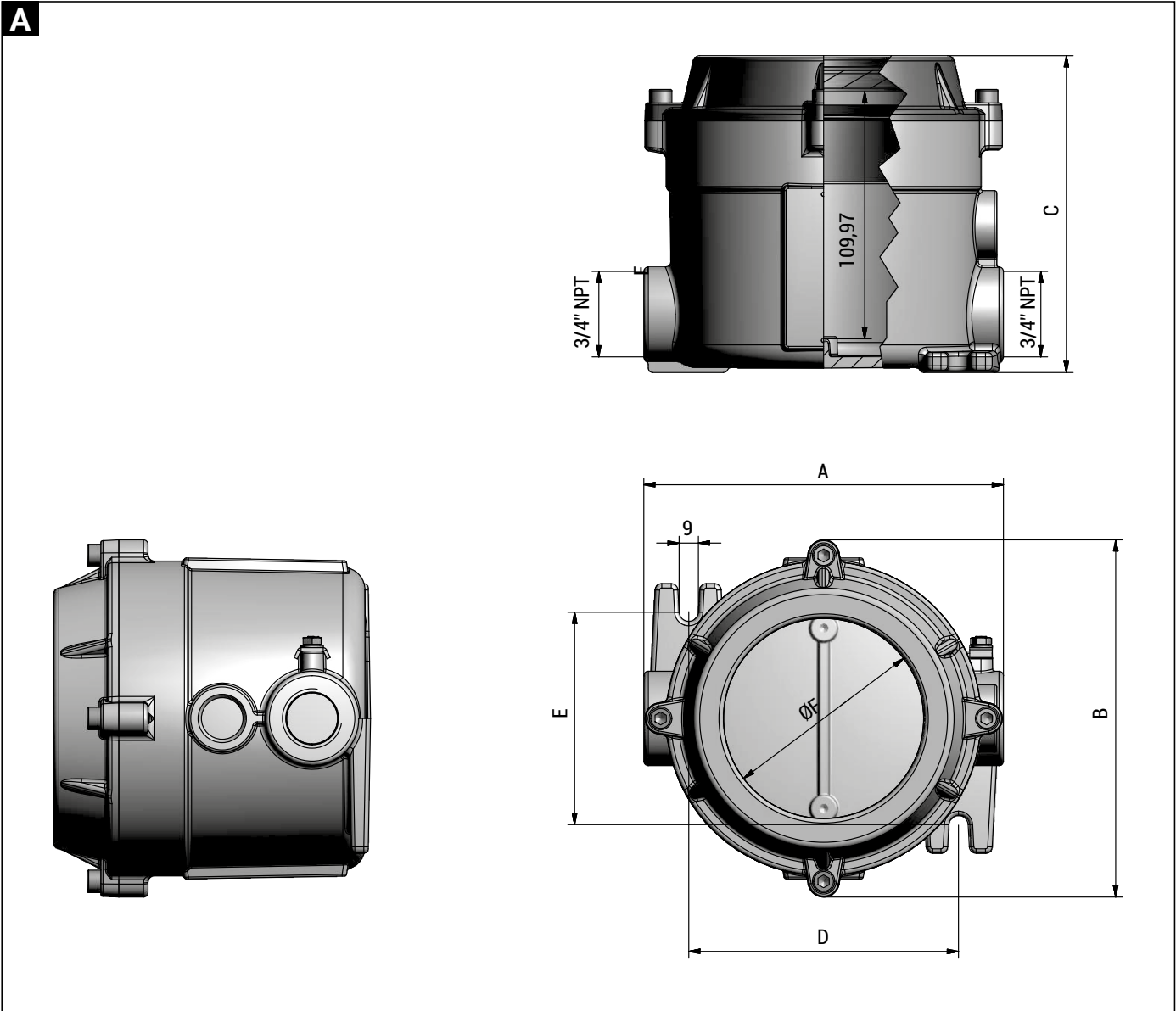
On Request Accessories:

- External epoxy painting with colour on request
- Internal anticondensate painting
- AISI 316L stainless steel drain breather valve

EMH9 Technical features

CODE	A [mm]	B [mm]	C [mm]	D [mm]	E [mm]	F [mm]	G [mm]	ØH [mm]	WEIGHT [Kg]	THREADED ENTRY	DRAIN VALVE	DETAIL
EMH9S	160	159	141	120	95	89	110	8	1,50	1 x 3/4"	NO	A
EMH2S	160	159	141	120	95	89	110	8	1,50	2 x 3/4"	NO	A
EMH9SV	160	159	141	120	95	89	110	8	1,50	1 x 3/4"	YES	A
EMH2SV	160	159	141	120	95	89	110	8	1,50	2 x 3/4"	YES	A

Reference details



REMARK:

Due to the development of the national and international specifications and of the technology, the above technical characteristics showed on this bulletin can be considered as binding on our confirmation only.