



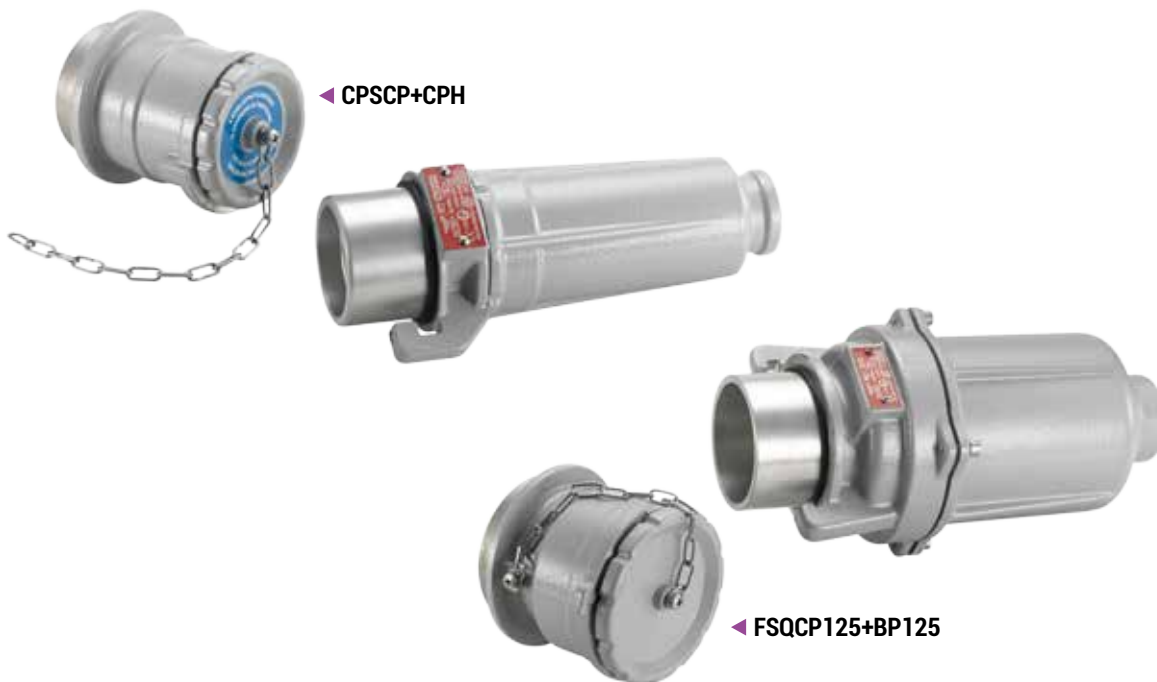
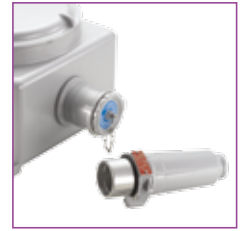
CPSCP - FSQCP / BP

Interlocked panel switch sockets & plugs

Installation: hazardous areas - Zone 1 / 2 (Gases) - Zone 21 / 22 (Dusts)

Classification: Group II - Category 2G 2D

Ex Interlocked sockets & plugs



◀ CPSCP+CPH

◀ FSQCP125+BP125



REFERENCE STANDARDS

Directive 94/9/EC (until April 19th, 2016) and Directive 2014/34/EU (from April 20th, 2016)

EXECUTION	⊕ II 2 G Ex d IIC T6 ⊕ II 2 D Ex tD A21 T85°C
RULES OF COMPLIANCE	EN/IEC 60079-0; EN/IEC 60079-1; EN/IEC 61241-0; EN/IEC 61241-0
EC Type-Examination Certificate	IMQ 09 ATEX 015
PROTECTION DEGREE	IP66/67
AMBIENT TEMPERATURE	-20°C ÷ +60°C
OTHER AVAILABLE CERTIFICATES	EAC: TC RU C-IT.Г508.B.01323 (-60°C ÷ +60°C) RUSSIAN MARINE CERTIFICATE (RMRS): 13.03520.315

Mechanical characteristics

Body	marine grade copper free aluminium light alloy
Cover	marine grade copper free aluminium light alloy
Screws	stainless steel
Pins	brass

On request accessories:

- External epoxy painting with colour on request
- Cable entries with different thread from standard



CODE	A [mm]	TEMPERATURE CLASS (GAS)	TEMPERATURE CLASS (DUSTS)	WEIGHT [Kg]	DETAIL
CPSCP*/CPH	243	T6	T85°C	1,50	A
FSQCP*/BP	255	T6	T85°C	2,00	B
FSQCP125*/BP125	310	T6	T85°C	5,00	C

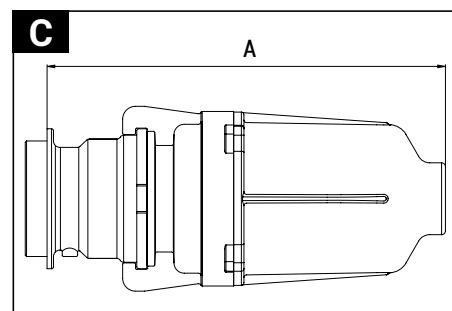
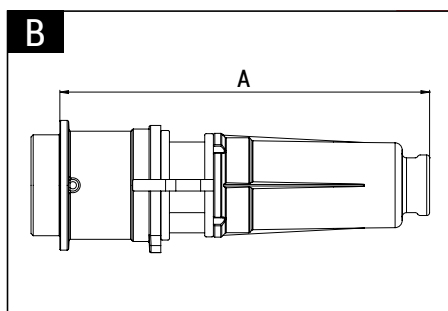
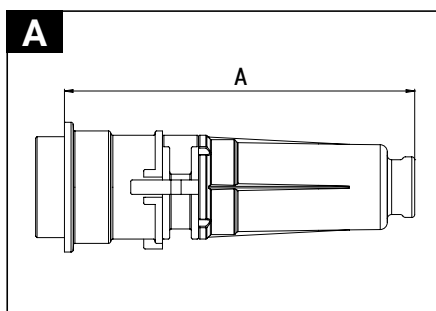
*WITHOUT ENCLOSURE (TO BE ORDERED SEPARATELY)

INTERLOCKED SOCKETS				
SOCKET CODE	POLES	VOLTAGE (50/60Hz)	CURRENT	
CPSCP224	2P+T (PE)	24V	16A	
CPSCP224-25A	2P+T (PE)	24V	25A	
CPSCP248	2P+T (PE)	48V	16A	
CPSCP248-25A	2P+T (PE)	48V	25A	
CPSCP211	2P+T (PE)	110/130V	16A	
CPSCP211-25A	2P+T (PE)	110/130V	25A	
CPSCP222	2P+T (PE)	220/250V	16A	
CPSCP222-25A	2P+T (PE)	220/250V	25A	
CPSCP338	2P+T (PE)	380/500V	16A	
CPSCP338-25A	3P+T (PE)	380/500V	25A	
CPSCP438-25A	3P+N+T (PE)	380/500V	25A	

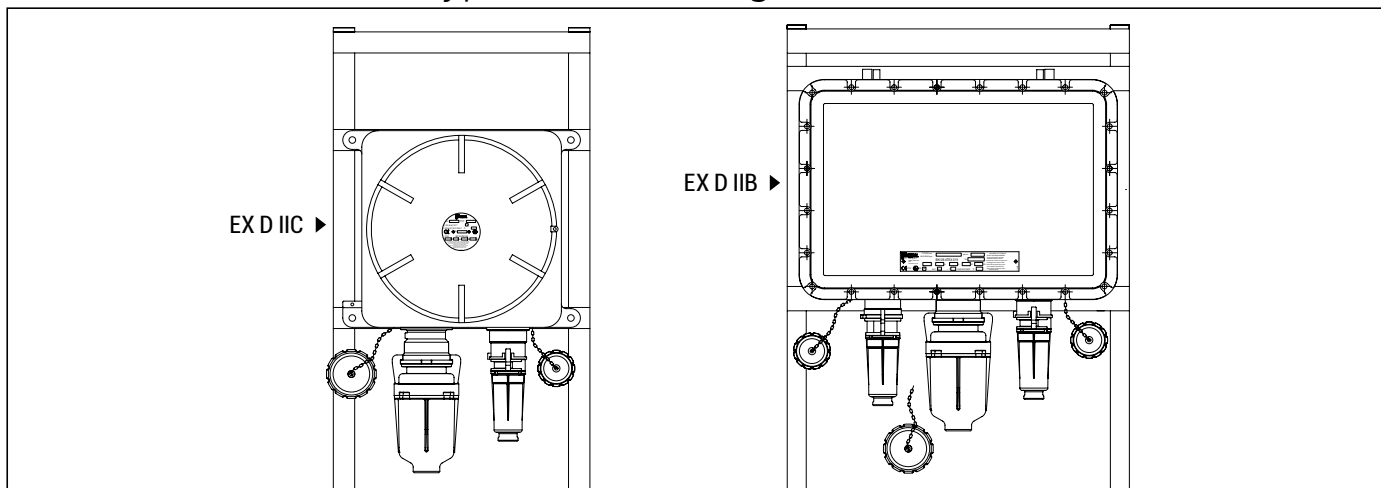
INTERLOCKED SOCKETS WITH CIRCUIT BREAKER				
SOCKET CODE	POLES	VOLTAGE (50/60Hz)	CURRENT	
FSQCP235	2P+T (PE)	220/250V	32A	
FSQCP335	3P+T (PE)	380/415V	32A	
FSQCP435	4P+T (PE)	380/500V	32A	
FSQCP260	2P+T (PE)	220/250V	63A	
FSQCP360	3P+T (PE)	380/500V	63A	
FSQCP460	4P+T (PE)	380/500V	63A	

125A INTERLOCKED SOCKETS AND PLUGS				
SOCKET CODE	PLUG CODE	POLES	VOLTAGE (50/60Hz)	CURRENT
FSQCP125-3	BP125-3	3P+T (PE)	380/500V	125A
FSQCP125-4	BP125-4	4P+T (PE)	380/500V	125A

NOTE: Please refer to cpssc/fsqc bulletin for industrial application sockets and plugs colour marking



CPSCP - FSQCP/BP - Typical assembling



REMARK:

Due to the development of the national and international specifications and of the technology, the above technical characteristics showed on this bulletin can be considered as binding on our confirmation only.