

CPSC / CPH FSQCA-FSQC / BPA-BP

Interlocked switch sockets & plugs

Explosion Proof Electrical Equipment



Ex Interlocked sockets & plugs

Installation: hazardous areas - Zone 1 / 2 (Gases) - Zone 21 / 22 (Dusts)
Classification: Group II - Category 2G 2D



CPSC / CPH
FSQCA-FSQC / BPA-BP

www.feam-ex.com



REFERENCE STANDARDS

Directive 94/9/EC (until April 19th, 2016) and Directive 2014/34/EU (from April 20th, 2016)

EXECUTION	⊕ II 2 G Ex d IIC T6 ⊕ II 2 D Ex tD A21 T85°C
RULES OF COMPLIANCE	EN/IEC 60079-0; EN/IEC 60079-1; EN/IEC 61241-0; EN/IEC 61241-0
EC Type-Examination Certificate	IMQ 08 ATEX 016 IMQ 09 ATEX 015 (125A Sockets and plugs)
PROTECTION DEGREE	IP66/67
AMBIENT TEMPERATURE	-20°C ÷ +60°C
OTHER AVAILABLE CERTIFICATES	INMETRO: CEPTEL 14.2323X EAC: TC RU C-IT.ГБ08.В.01323 (-60°C ÷ +60°C) RUSSIAN MARINE CERTIFICATE (RMRS): 13.03520.315

Mechanical characteristics

Body	marine grade copper free aluminium light alloy
Cover	marine grade copper free aluminium light alloy
Screws	stainless steel
Pins	brass

On request accessories:

- External epoxy painting with colour on request
- Cable entries with different thread from standard



CPSC/FSQC Technical Features

CODE	A [mm]	B [mm]	C [mm]	D [mm]	E [mm]	Ø F [mm]	Ø G [mm]	FIXING HxL [mm]	TEMPERATURE CLASS (GAS)	TEMPERATURE CLASS (DUSTS)	WEIGHT [Kg]	DETAIL
CPSC / CPH	195	370	113	155	140	3/4" NPT	1" NPT	92-90	T6	T85°C	2,8	A
FSQC / BPA	230	415	155	200	163	1" NPT	1" NPT	125-80	T6	T85°C	4	B
FSQC125 / BP125	380	615	275	305	225	-	2" NPT	308x270	T6	T85°C	15,5	C

INTERLOCKED SOCKET AND PLUGS

SOCKET CODE	PLUG CODE	POLES	VOLTAGE (50/60Hz)	CURRENT
CPSC224-25A	CPH224-25A	2P+T (PE)	24V	16A-25A
CPSC248-25A	CPH248-25A	2P+T (PE)	48V	16A-25A
CPSC211-25A	CPH211-25A	2P+T (PE)	110/130V	16A-25A
CPSC222-25A	CPH222-25A	2P+T (PE)	220/250V	16A-25A
CPSC338-25A	CPH338-25A	3P+T (PE)	380/500V	16A-25A
CPSC438-25A	CPH438-25A	3P+N+T (PE)	380/500V	16A-25A

INTERLOCKED SOCKETS AND PLUGS WITH CIRCUIT BREAKER

SOCKET CODE	PLUG CODE	POLES	VOLTAGE (50/60Hz)	CURRENT
FSQCA235	BPA235	2P+T (PE)	220/250V	32A
FSQCA335	BPA335	3P+T (PE)	380/400V	32A
FSQCA260	BPA260	2P+T (PE)	220/250V	63A
FSQCA360*	BPA360	3P+T (PE)	380/400V	63A

*Threaded hole ØF:1-1/2" NPT

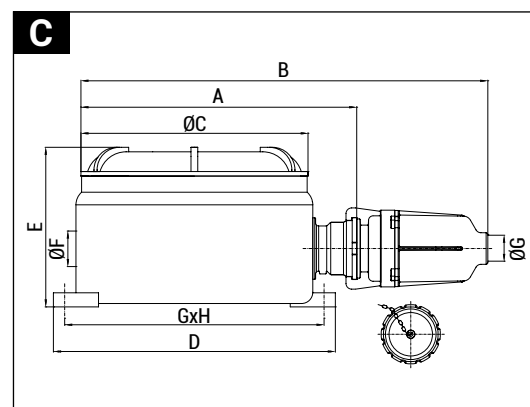
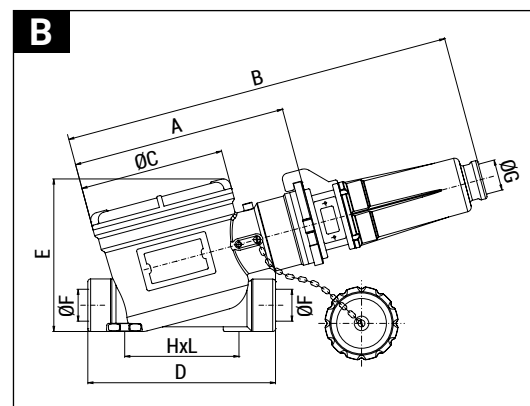
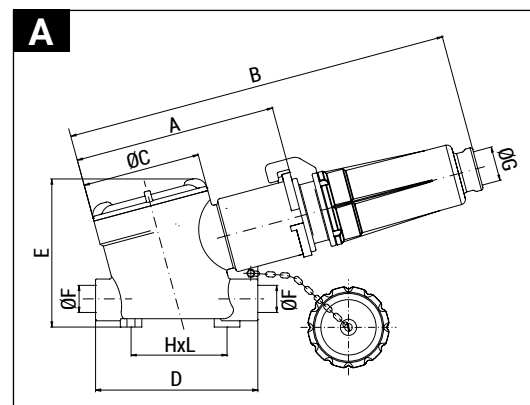
INTERLOCKED SOCKETS AND PLUGS WITH ON-LOAD SWITCH

SOCKET CODE	PLUG CODE	POLES	VOLTAGE (50/60Hz)	CURRENT
FSQC235	BPA235	2P+T (PE)	220/250V	32A
FSQC335	BPA335	3P+T (PE)	380/500V	32A
FSQC435	BPA435	3P+N+T (PE)	380/500V	32A
FSQC260	BPA260	2P+T (PE)	220/250V	63A
FSQC360*	BPA360	3P+T (PE)	380/500V	63A
FSQC460*	BPA460	3P+N+T (PE)	380/500V	63A

*Threaded hole ØF:1-1/2" NPT

125A INTERLOCKED SOCKETS AND PLUGS

SOCKET CODE	PLUG CODE	POLES	VOLTAGE (50/60Hz)	CURRENT
FSQC125-3	BP125-3	3P+T (PE)	380/500V	125A
FSQC125-4	BP125-4	4P+T (PE)	380/500V	125A



Sockets and plugs colour marking for industrial applications

NOMINAL WORKING VOLTAGE	COLOUR
20-25V	VIOLET
40-50V	WHITE
100-130V	YELLOW
200-250V	BLUE
380-480V	RED
480-500V	BLACK



REMARK:

Due to the development of the national and international specifications and of the technology, the above technical characteristics showed on this bulletin can be considered as binding on our confirmation only.