



READ / RERAC Flameproof electric radiators industrial electric heaters

Ex Radiators

Installation: hazardous areas - Zone 1 / 2 (Gases) - Zone 21 / 22 (Dusts) - Safe Areas

Classification: Group II - Category 2G 2D



← READ



← RERAC



REFERENCE STANDARDS

FLAME PROOF ELECTRIC RADIATORS - READ (SWITCH)

EXECUTION	<ul style="list-style-type: none"> ⊕ II 2 G Ex d IIC T6 Gb ⊕ II 2 D Ex tb IIIC T85°C Db
RULES OF COMPLIANCE	EN/IEC 60079-0; EN/IEC 60079-1; EN/IEC 60079-31
EC Type-Examination Certificate	INERIS 04 ATEX 0076X
PROTECTION DEGREE	IP66
AMBIENT TEMPERATURE	-60°C ÷ +60°C
OTHER AVAILABLE CERTIFICATES	<ul style="list-style-type: none"> IECEx: IECEx INE 11.0033X INMETRO: CEPEL 13.2255X EAC: TC RU C-IT.Г508.B.01323 Kc (Korean certification): 14-KB4B0-0471

FLAME PROOF ELECTRIC RADIATORS - READ (HEATER)

EXECUTION	II 2 G Ex d IIC T4, T3, T2, T1 Gb
RULES OF COMPLIANCE	EN/IEC 60079-0; EN/IEC 60079-1;
EC Type-Examination Certificate	CESI 03 ATEX 082X
PROTECTION DEGREE	IP66
AMBIENT TEMPERATURE	-60°C ÷ +60°C
OTHER AVAILABLE CERTIFICATES	<ul style="list-style-type: none"> IECEx: IECEx INE 11.0013X INMETRO: NCC 13.02431 X EAC: TC RU C-IT.Г505.B.00189 Kc (Korean certification): 13-AV4B0-0466

INDUSTRIAL ELECTRIC HEATER - RERAC

EXECUTION	INDUSTRIAL WEATHERPROOF
RULES OF COMPLIANCE	CEI / EN 60598-1
EC Type-Examination Certificate	-
PROTECTION DEGREE	IP20 (RERAC-L) IP44/IP55 (RERAC / RERAC-C)
AMBIENT TEMPERATURE	-
OTHER AVAILABLE CERTIFICATES	-

Mechanical characteristics READ

Control box	marine grade copper free aluminium light alloy
Heating unit	stamped and welded steel sheets
Control box painting	epoxy powders grey RAL-9006 colour
Heating unit painting	epoxy powders grey RAL-7035 colour

Mechanical characteristics RERAC

Box	welded steel 8/10mm th.
Front upper and inferior surfaces	steel sheet 15/10mm th. with oblong holes
Painting	ivory RAL-1015 colour

On request accessories:

- Different supply from standard
- Protection degree IP40 (RERAC...)

READ / RERAC

Technical Features



READ / RERAC

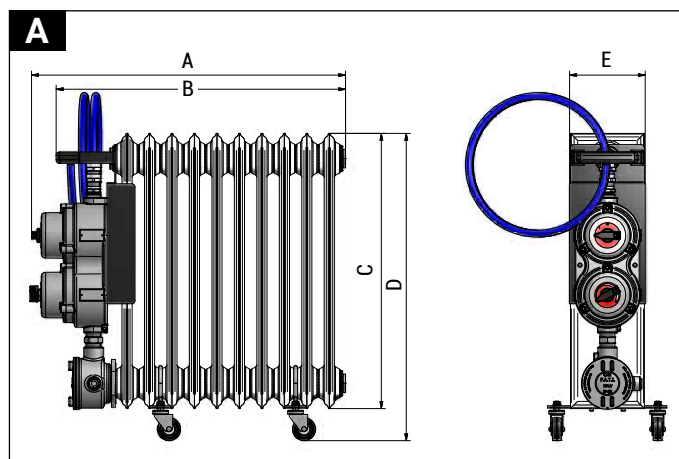
www.feam-ex.com

CODE	A [mm]	B [mm]	C [mm]	D [mm]	E [mm]	WEIGHT [Kg]	DETAIL
READ1000W	640	510	600	675	165	39	A
READ2000W	1140	1010	600	675	165	74	A
RERAC21000	520	715	490	695	133	11	B
RERAC31500	520	715	490	695	133	11,05	B
RERAC42000	520	715	490	695	133	12	B
RERACC2500	315	700	288	680	108	6,6	B
RERACC2800	315	700	288	680	108	6,9	B
RERACC3750	315	700	288	680	108	7,2	B
RERACL1900	1060	395	1040	375	107	9,1	C
RERACL21800	1060	395	1040	375	107	9,6	C

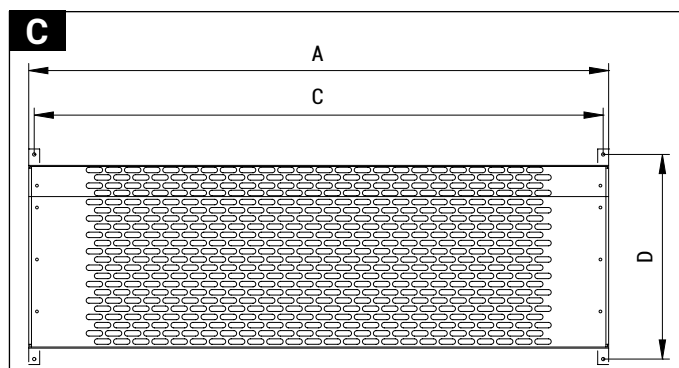
CODE	TENSION	POWER [W]	DETAIL
READ1000W	230V - 50/60Hz	1000	A
READ2000W	230V - 50/60Hz	2000	A

CODE	TENSION	POWER LEVELS [W]		DETAIL
		I	II	
RERAC21000	230V - 50/60Hz	500	1000	B
RERAC31500	230V - 50/60Hz	1000	1500	B
RERAC42000	230V - 50/60Hz	1000	2000	B
RERACC2500	230V - 50/60Hz	250	500	B
RERACC2800	230V - 50/60Hz	550	800	B
RERACC3750	230V - 50/60Hz	500	750	B
RERACL1900	230V - 50/60Hz	900	-	C
RERACL21800	230V - 50/60Hz	900	1800	C

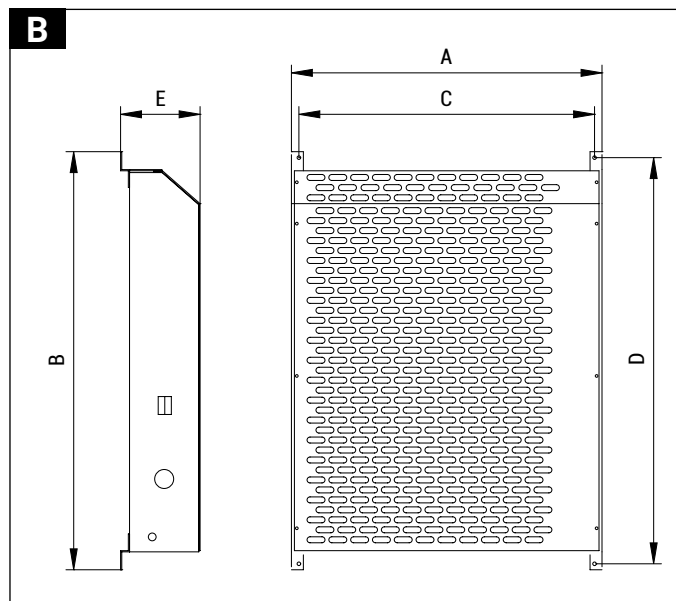
Reference Details



Reference Details



Reference Details



CONSTRUCTION FEATURES:

Electric heater, oil field, movable on pivoting wheels or to be fixed by special supports on the floor or to the wall.
 Two electric armoured resistances unit provided with incorporated thermal circuit breaker located inside one.
 Resistance thermal exchange: 2W/sqcm
 Control gear box containing a three positions change over switch: 0 – 50% - 100% power.
 Adjustable thermostat. Certified cable gland for a feeding armoured 2 Mt. cable 3x2.5sqmm
 Heating system is composed with a group of finned armoured electric resistance, electrically connected to have two heating levels (only RERAC...).

REMARK:

Due to the development of the national and international specifications and of the technology, the above technical characteristics showed on this bulletin can be considered as binding on our confirmation only.