

# PORTABLE LIGHTING FIXTURES FOR INCANDESCENT LAMPS

Explosion Proof Electrical Equipment

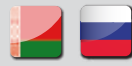
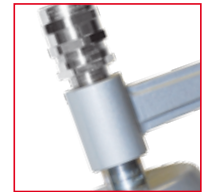


Ex Lighting

EVP-100

**Installation:** hazardous areas - Zone 1 / 2 (Gases) - Zone 21 / 22 (Dusts)  
**Classification:** Group II - Category 2G 2D

## EVP-100



GOST-R  
RTR Ex Proof



	LIGHTING FIXTURE				
	ATEX 94/9/EC	IEC Ex	INMETRO	GOST-R (RTR/RTN)	GOST-K
<b>EXECUTION</b>	⊕ II 2 G Ex d IIC T4 Gb ⊕ II 2 D Ex tb IIIC T130°C/ T200°C Db	Ex d IIC T4 Gb Ex tb IIIC T130°C/T200°C Db	Ex d IIC T4 Gb Ex tb IIIC T130°C/T200°C Db	1Ex d IIC T6 (T4) X DIP A21 TA (130...200)°C	1Ex d IIC T6 (T4) X DIP A21 TA (130...200)°C
<b>AMBIENT TEMPERATURE</b>	-60°C ÷ +60°C	-60°C ÷ +60°C	-60°C ÷ +60°C	-60°C ÷ +60°C	-60°C ÷ +60°C
<b>PROTECTION DEGREE</b>	IP66	IP66	IP66	IP66	IP66
<b>CERTIFICATE REF.</b>	INERIS 01 ATEX 0054X	-	-	POCC IT. ME92.B02923	No. 07/43-269
<b>RULES OF COMPLIANCE</b>	EN 60079-0:2009; EN 60079-1:2007; EN 60079-7:2008; EN 60079-31:2009	IEC 60079-0:2007; IEC 60079-1:2007; IEC 60079-31:2008	ABNT NBR IEC 60079-0:2007-10; ABNT NBR IEC 60079-1:2007-04; ABNT NBR IEC 61242-31:2008-11	ГОСТ Р МЭК 60079-0:2011; ГОСТ Р МЭК 61241-0:2007; ГОСТ Р МЭК 61241-1:2004;	ГОСТ Р 51330.0/1/8/14-99; ГОСТ Р МЭК 61241-1-1-2002

### Mechanical characteristics

Body	marine grade copper free aluminium (control gear & lamp body)
Globe	high-temperature resistant borosilicate glass
Painting	external epoxy powders grey RAL-9006 colour
Screws	external stainless steel
Gaskets	silicon rubber
Cable entry	Nickel plated brass cable gland 1/2" NPT (armoured cable)

### Electrical characteristics

Power supply	12 ÷ 230V AC/DC
lampholders	E27 porcelain

### ON REQUEST ACCESSORIES:

- External painting colour on request

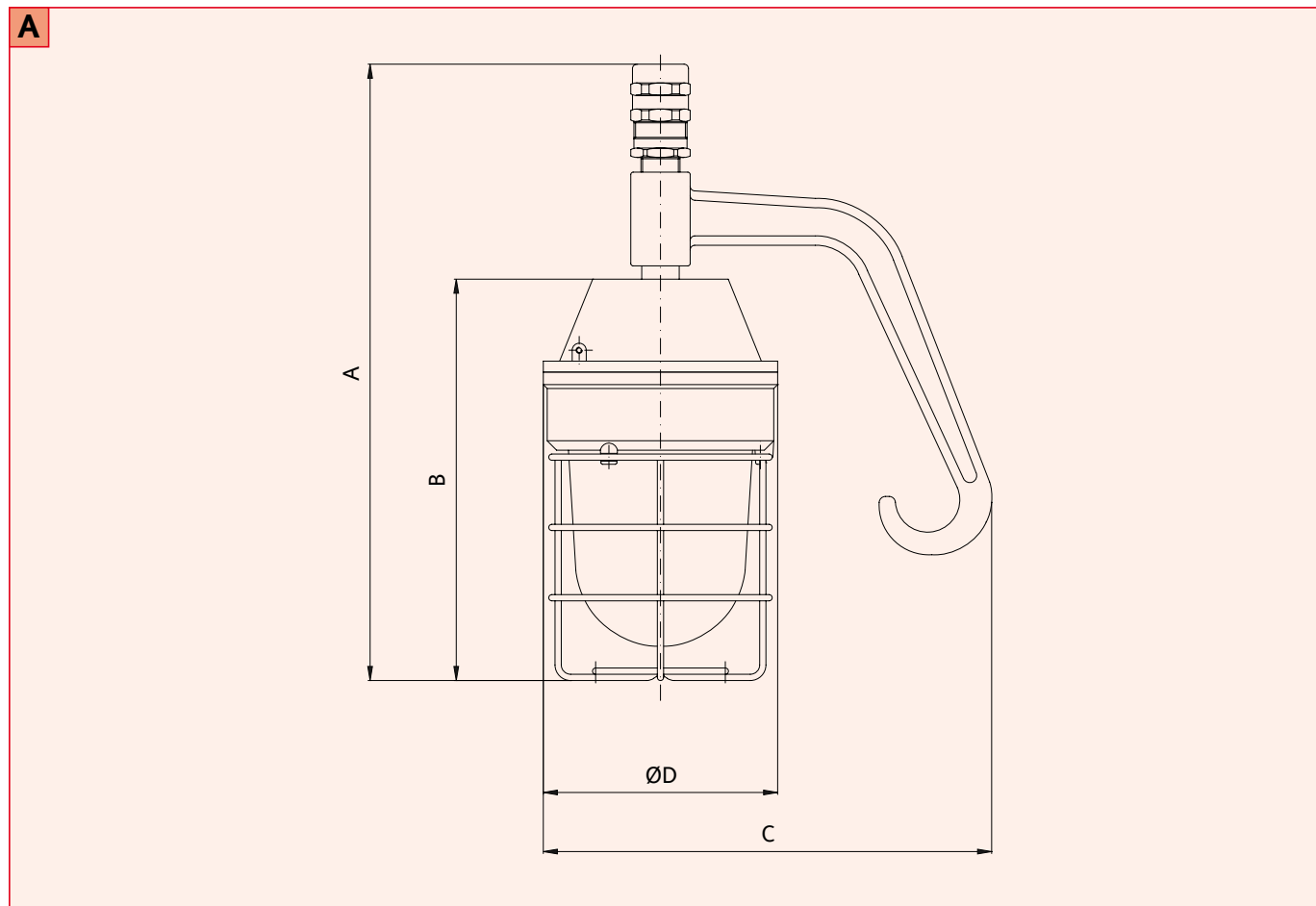
## EVP-100 Technical data

CODE	LAMP	TEMPERATURE CLASS (GAS)	TEMPERATURE CLASS (DUSTS)	LAMPHOLDER SIZE	CABLE ENTRY SIZE	DETAIL
<b>LIGHTING FIXTURE FOR INCANDESCENT LAMP - POWER SUPPLY 230V-50Hz</b>						
EVP-100	100 W	T4	T 130°C	E-27	CABLE GLAND 1/2" NPT	A

## EVP-100 Technical features

CODE	A [mm]	B [mm]	C [mm]	Ø D [mm]	WEIGHT [Kg]	CABLE ENTRY	DETAIL
EVP-100	395	257	287	150	4,00	CABLE GLAND 1/2" NPT	A

### Reference details



**REMARK:**

Due to the development of the national and international specifications and of the technology, the above technical characteristics showed on this bulletin can be considered as binding on our confirmation only.