

# EVSN Lighting fixtures for fluorescent tube lamps

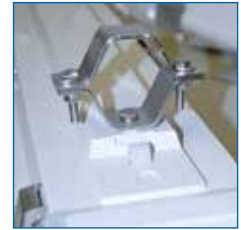
Explosion Proof Electrical Equipment



Ex Lighting

**Installation:** hazardous areas - Zone 2 (Gases) - Zone 22 (Dusts)

**Classification:** Group II - Category 3G 3D



## REFERENCE STANDARDS

**Directive 94/9/EC (until April 19th, 2016) - Directive 2014/34/EU (from April 20th, 2016)**

EXECUTION	⊕ II 3 G Ex nA IIC T6/T5/T4 Gc ⊕ II 3 D Ex tc IIIC T85°C/T100°C/T135°C Dc
RULES OF COMPLIANCE	EN 60079-0; EN 60079-15; EN 60079-31
EC Type-Examination Certificate	IMQ 08 ATEX 008X
PROTECTION DEGREE	IP65
AMBIENT TEMPERATURE	-20°C ÷ +60°C
OTHER AVAILABLE CERTIFICATES	EAC: TC RU C-IT.Г508.B.01342 (-40°C÷+60°C) RUSSIAN MARINE CERTIFICATE (RMRS): 13.03516.315

## Mechanical characteristics

Body	glass fibre reinforced polyester resin
Diffuser	U/V resistant polycarbonate - hinged to body
Safety closing	stainless steel hooks with safety device
Gaskets	EPDM 60 rubber suitable for high temperatures and resistant to environments conditions
Internal reflector	white stove enamelled sheet steel
Cable entry	complete with 1 PVC cable gland + 1 PVC stopping plug

## Electrical characteristics

Power supply	dual channel electronic ballast 220÷240V AC/DC 50/60Hz (cos ρ ≥ 0,98)
Emergency unit	emergency unit with autonomy from 120 min. - (inverter) 220÷240V 50/60Hz
Lampholders	bi-pin G13 cap
Terminals	suitable up to 6 sq/mm cables

## On request accessories:

- Pole mounting kit complete with stainless steel hardware
- Ceiling mounting kit complete with stainless steel hardware
- Pendant mounting kit complete with stainless steel hardware
- Wall/Structure mounting kit complete with stainless steel hardware
- Electronic ballast with voltage supply different than standard
- Ex-de safety switch
- AUTOTEST electronic system for emergency unit
- Up to 4 cable entries



## EVSN Technical data

CODE	LAMP	TEMPERATURE CLASS (GAS)	TEMPERATURE CLASS (DUSTS)	LAMPHOLDER	CABLE ENTRY WITH CABLE GLAND	EMERGENCY UNIT	AUTONOMY	DETAIL
------	------	-------------------------	---------------------------	------------	------------------------------	----------------	----------	--------

## FLUORESCENT LIGHTING FIXTURES FOR SINGLE AND TWIN LAMPS - POWER SUPPLY 220V±240V - 50/60Hz

EVSN118EL	1 x 18W	T6 (AT = 40°C)	T 85°C	G13	2 x M20	-	-	A
		T5 (AT = 50°C)	T100°C					
		T4 (AT = 60°C)	T135°C					
EVSN136EL	1 x 36W	T6 (AT = 40°C)	T 85°C	G13	2 x M20	-	-	A
		T5 (AT = 50°C)	T100°C					
		T4 (AT = 60°C)	T135°C					
EVSN158EL	1 x 58W	T5 (AT = 60°C)	T100°C	G13	2 x M20	-	-	A
EVSN218EL	2 x 18W	T6 (AT = 40°C)	T 85°C	G13	2 x M20	-	-	A
		T5 (AT = 50°C)	T100°C					
		T4 (AT = 60°C)	T135°C					
EVSN236EL	2 x 36W	T6 (AT = 40°C)	T 85°C	G13	2 x M20	-	-	A
		T5 (AT = 50°C)	T100°C					
		T4 (AT = 60°C)	T135°C					
EVSN258EL	2 x 58W	T5 (AT = 60°C)	T100°C	G13	2 x M20	-	-	A

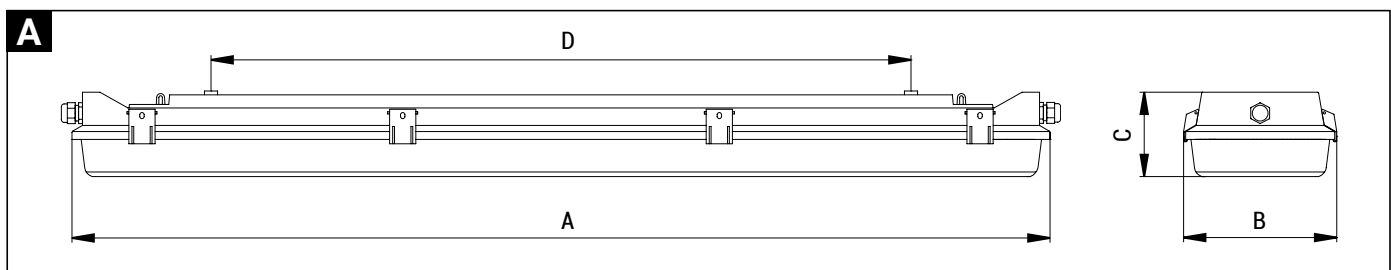
## EMERGENCY FLUORESCENT LIGHTING FIXTURES FOR SINGLE AND TWIN LAMPS - POWER SUPPLY (inverter) 220±240V - 50/60Hz

EVSN118EL	1 x 18W	T6 (AT = 40°C)	T 85°C	G13	2 x M20	4,8V - 4Ah	120 min.	A
		T5 (AT = 50°C)	T100°C					
		T4 (AT = 60°C)	T135°C					
EVSN136EL	1 x 36W	T6 (AT = 40°C)	T 85°C	G13	2 x M20	4,8V - 4Ah	120 min.	A
		T5 (AT = 50°C)	T100°C					
		T4 (AT = 60°C)	T135°C					
EVSN158EL	1 x 58W	T5 (AT = 60°C)	T100°C	G13	2 x M20	4,8V - 4Ah	120 min.	A
EVSN218EL	2 x 18W	T6 (AT = 40°C)	T 85°C	G13	2 x M20	4,8V - 4Ah	120 min.	A
		T5 (AT = 50°C)	T100°C					
		T4 (AT = 60°C)	T135°C					
EVSN236EL	2 x 36W	T6 (AT = 40°C)	T 85°C	G13	2 x M20	4,8V - 4Ah	120 min.	A
		T5 (AT = 50°C)	T100°C					
		T4 (AT = 60°C)	T135°C					
EVSN258EL	2 x 58W	T5 (AT = 60°C)	T100°C	G13	2 x M20	4,8V - 4Ah	120 min.	A

## EVSN Technical features

CODE	A [mm]	B [mm]	C [mm]	D [mm]	WIGHT [Kg]	CABLE ENTRY	DETAIL
EVSN118EL	667	90	98	420	1,75	2 x M20	A
EVSN136EL	1276	90	98	775	2,45	2 x M20	A
EVSN158EL	1576	90	98	1070	2,65	2 x M20	A
EVSN218EL	667	155	102	455	2,1	2 x M20	A
EVSN236EL	1276	155	102	770	3,9	2 x M20	A
EVSN258EL	1576	155	102	1055	4	2 x M20	A

## Reference details





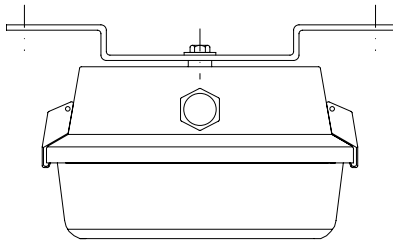
# EVSN Technical features

CODE	A [mm]	B [mm]	C [mm]	D [mm]	WIGHT [Kg]	CABLE ENTRY	DETAIL
EVSNE118EL	667	90	98	420	3	2 x M20	A
EVSNE136EL	1276	90	98	775	3,7	2 x M20	A
EVSNE158EL	1576	90	98	1070	4,35	2 x M20	A
EVSNE218EL	667	155	102	455	3,35	2 x M20	A
EVSNE236EL	1276	155	102	770	5,15	2 x M20	A
EVSNE258EL	1576	155	102	1055	6,45	2 x M20	A

## EVSN Installation and mounting details

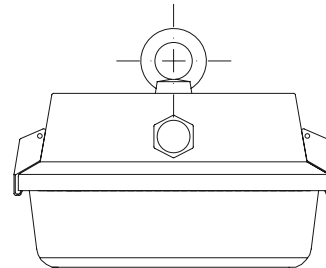
### Ceiling mounting

#### type 1



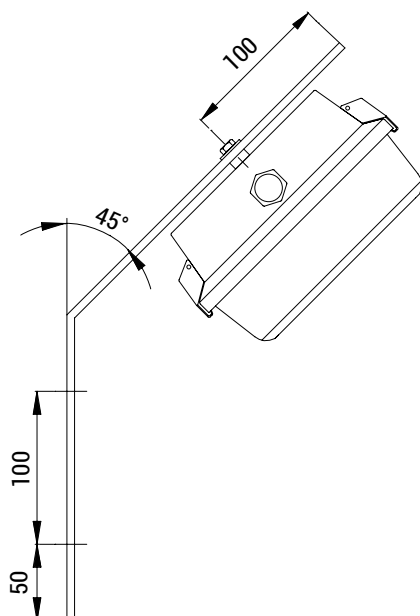
### Pendant mounting

#### type 2



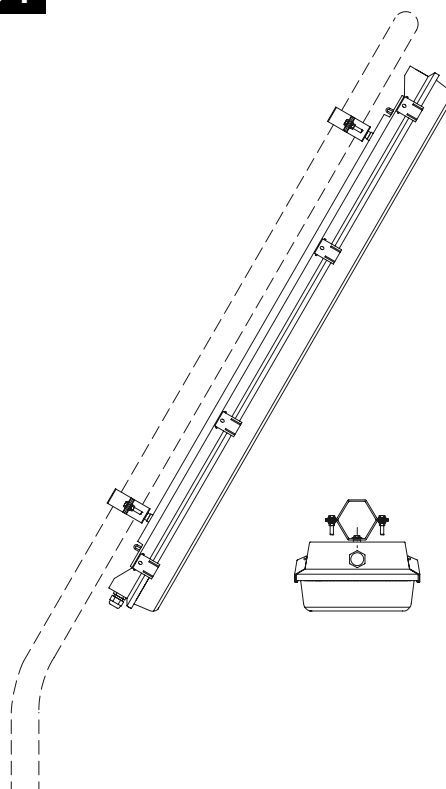
### Wall/structure mounting

#### type 3



### Pole mounting Assemblig detail with pole (typical)

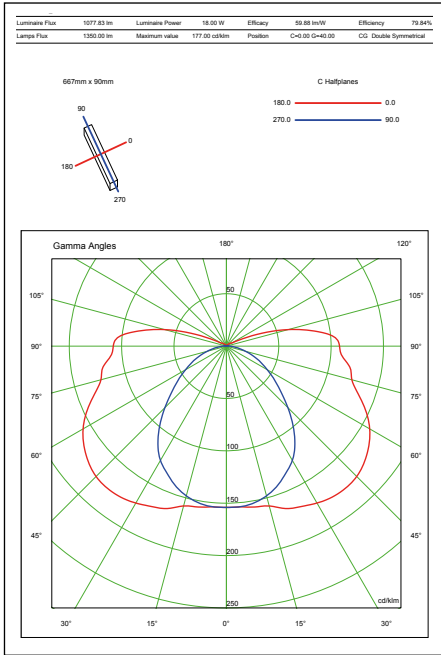
#### type 4



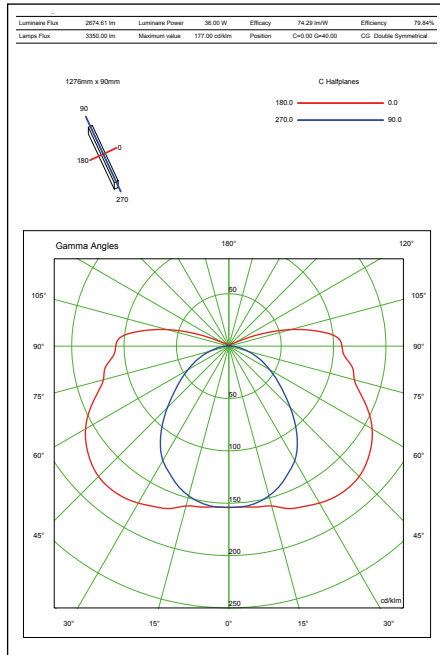


# EVSN Polar diagrams – photometric data

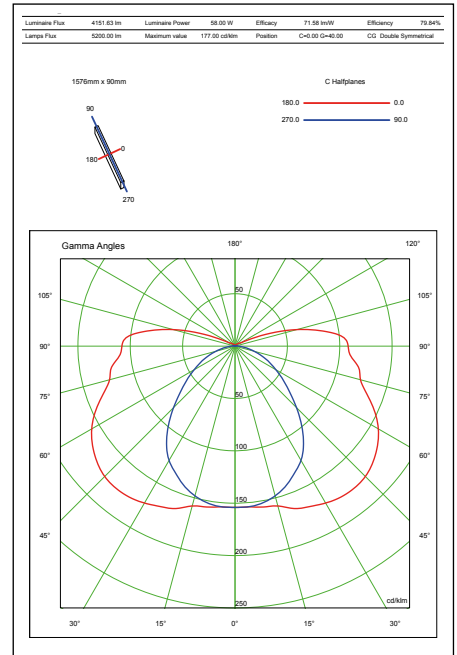
EVSN118EL



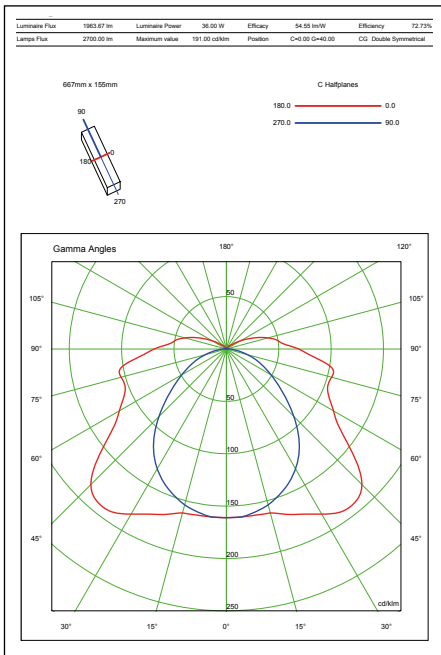
EVSN136EL



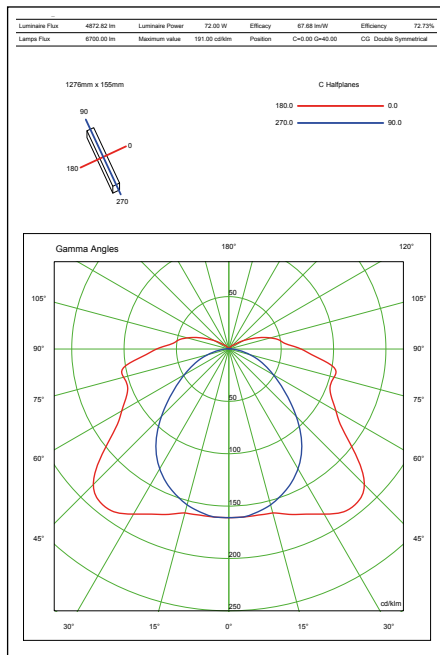
EVSN158EL



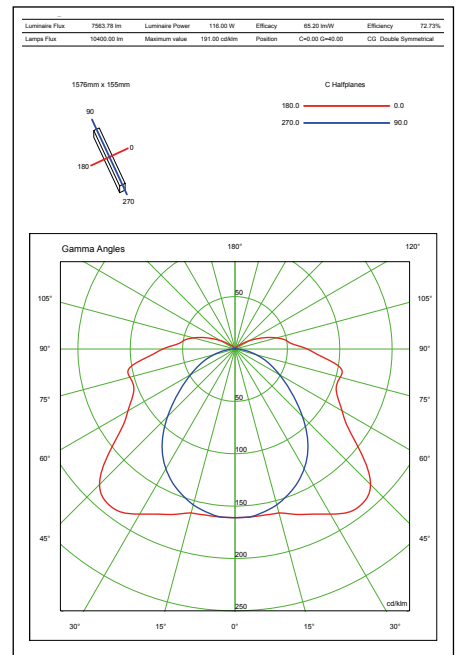
EVSN218EL



EVSN236EL



EVSN258EL



## EVSN On request accessories

CODE	DESCRIPTION	INSTALLATION	MATERIAL
20303.0091	CEILING MOUNTING KIT C/W HARDWARE	TYPE 1	GALVANIZED STEEL
20303.0126	PENDANT MOUNTING KIT C/W HARDWARE AND EYE-BOLTS	TYPE 2	STAINLESS STEEL
20303.0092	WALL/STRUCTURE MOUNTING KIT C/W HARDWARE	TYPE 3	GALVANIZED STEEL
20302.0122	POLE MOUNTING KIT (SIZE 1 1/2" DIA.) C/W HARDWARE	TYPE 4	STAINLESS STEEL
20302.0123	POLE MOUNTING KIT (SIZE 2" DIA.) C/W HARDWARE	TYPE 4	STAINLESS STEEL
20302.0125	POLE MOUNTING KIT (SIZE 1" DIA.) C/W HARDWARE	TYPE 4	STAINLESS STEEL

**REMARK:**

Due to the development of the national and international specifications and of the technology, the above technical characteristics showed on this bulletin can be considered as binding on our confirmation only.