

# AVC Increased safety lighting fixtures for bi-pin fluorescent lamps

Explosion Proof Electrical Equipment



Ex Lighting

**Installation:** hazardous areas - Zone 1 / 2 (Gases) - Zone 21 / 22 (Dusts)  
**Classification:** Group II - Category 2G 2D



## REFERENCE STANDARDS

**Directive 94/9/EC (until April 19th, 2016) - Directive 2014/34/EU (from April 20th, 2016)**

EXECUTION	⊕ II 2 G Ex d e q IIC T4 Gb ⊕ II 2 D Ex tb IIIC T80°C Db
RULES OF COMPLIANCE	EN/IEC 60079-0; EN/IEC 60079-1; EN/IEC 60079-5; EN/IEC 60079-7; EN/IEC 60079-31
EC Type-Examination Certificate	LCIE 12 ATEX 3050X
PROTECTION DEGREE	IP66
AMBIENT TEMPERATURE	-20°C ÷ +60°C
OTHER AVAILABLE CERTIFICATES	IECEX: IECEX LCIE 12.0019X INMETRO: CEPEL 15.2405X EAC: TC RU C-IT.ГБ08.В.01342 (-40°C÷+60°C) RUSSIAN MARINE CERTIFICATE (RMRS): 13.03516.315

## Mechanical characteristics

Body	galss fibre reinforced polyester resin self-extinguishing acc. to UL94
Diffuser	U/V resistant polycarbonate - hinged to body
Safety closing	operated by hexagonal key
Gaskets	EPDM 60 rubber suitable for high temperatures and resistant to enviroments conditions
Internal reflector	white stove enamelled sheet aluminum
Cable entry	1 PCE M25 cable gland and 3 M25 plugs

## Electrical characteristics

Power supply	elettronic ballast 96...254V AC 50/60Hz (cos ρ ≥ 0,95) / 96 130V DC
Lampholders	bi-pin G13 cap
Internal wiring	high-temperature resistant silicon rubber insulation cables
Terminals	suitable up to 4 sq/mm cables
Safety feature	with protections against over charge and over discharge

## On request accessories:

- Pole mounting kit complete with stainless steel hardware
- Ceiling mounting kit complete with stainless steel hardware
- Pendant mounting kit complete with stainless steel hardware
- Wall/Structure mounting kit complete with stainless steel hardware
- Electronic ballast with voltage supply different than standard
- Voltage different than standard



# AVC Technical data

CODE	LAMP	TEMPERATURE CLASS (GAS)	TEMPERATURE CLASS (DUSTS)	LAMPHOLDER	ENTRY	EMERGENCY UNIT	AUTONOMY	DETAIL
------	------	-------------------------	---------------------------	------------	-------	----------------	----------	--------

**FLUORESCENT LIGHTING FIXTURES FOR SINGLE AND TWIN LAMPS - POWER SUPPLY 96...254V AC 50/60Hz**

AVC-118	1 x 18W	T4	T 80°C	G13	4 x ISO-M25	-	-	A
AVC-136	1 x 36W	T4	T 80°C	G13	4 x ISO-M25	-	-	A
AVC-218	2 x 18W	T4	T 80°C	G13	4 x ISO-M25	-	-	A
AVC-236	2 x 36W	T4	T 80°C	G13	4 x ISO-M25	-	-	A

**EMERGENCY FLUORESCENT LIGHTING FIXTURES FOR SINGLE AND TWIN LAMPS - POWER SUPPLY 230/240V AC 50/60Hz**

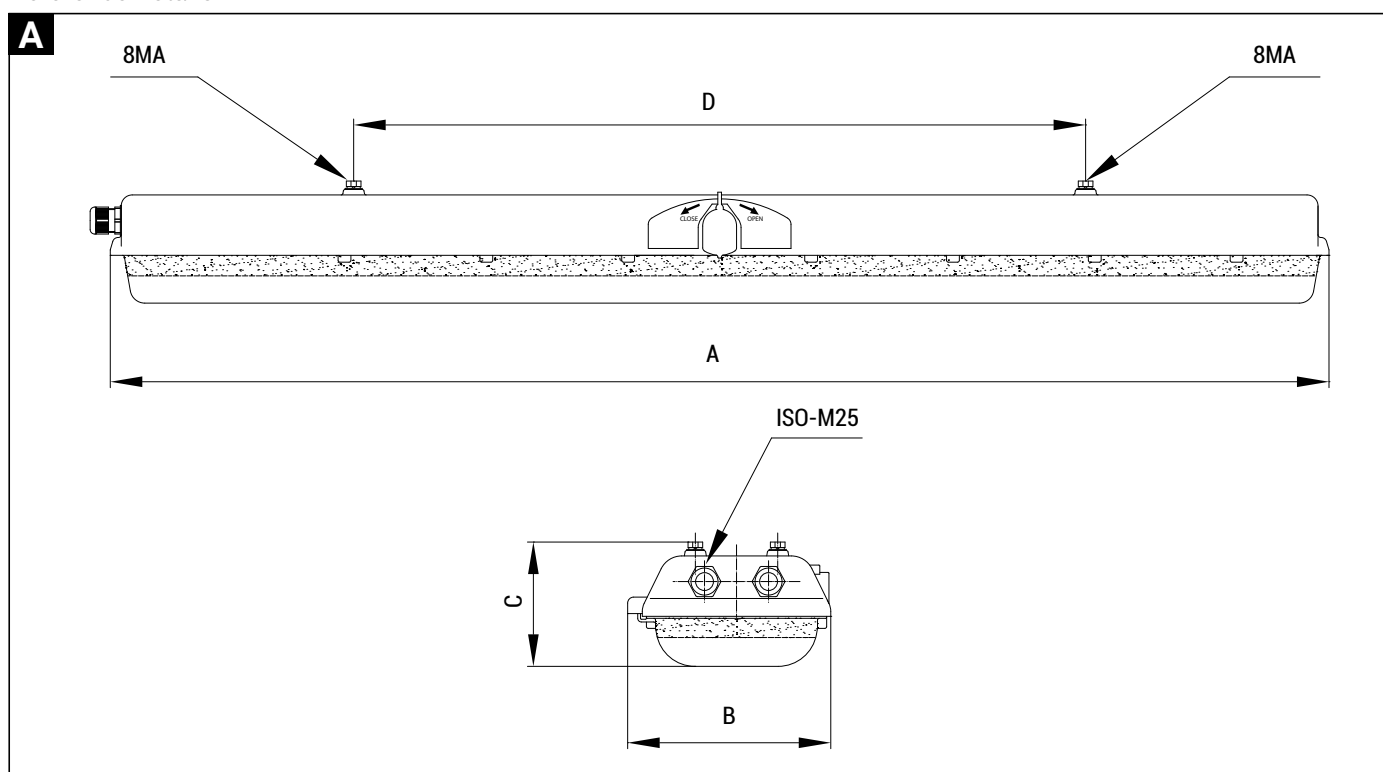
AVCE-118	1 x 18W	T4	T 80°C	G13	4 x ISO-M25	7.2 V - 6Ah	120 min	A
AVCE-136	1 x 36W	T4	T 80°C	G13	4 x ISO-M25	7.2 V - 6Ah	120 min	A
AVCE-218	2 x 18W	T4	T 80°C	G13	4 x ISO-M25	7.2 V - 6Ah	120 min	A
AVCE-236	2 x 36W	T4	T 80°C	G13	4 x ISO-M25	7.2 V - 6Ah	120 min	A

## AVC Technical features

CODE	A [mm]	B [mm]	C [mm]	D [mm]	WIGHT [Kg]	CABLE ENTRY	DETAIL
AVC-118	705	222	134	450	7,5	4 x ISO-M25	A
AVC-136	1335	222	134	800	11,5	4 x ISO-M25	A
AVC-218	705	222	134	450	8	4 x ISO-M25	A
AVC-236	1335	222	134	800	12	4 x ISO-M25	A

CODE	A [mm]	B [mm]	C [mm]	D [mm]	WIGHT [Kg]	CABLE ENTRY	DETAIL
AVCE-118	705	222	134	450	9	4 x ISO-M25	A
AVCE-136	1335	222	134	800	13	4 x ISO-M25	A
AVCE-218	705	222	134	450	9,5	4 x ISO-M25	A
AVCE-236	1335	222	134	800	13,5	4 x ISO-M25	A

### Reference details

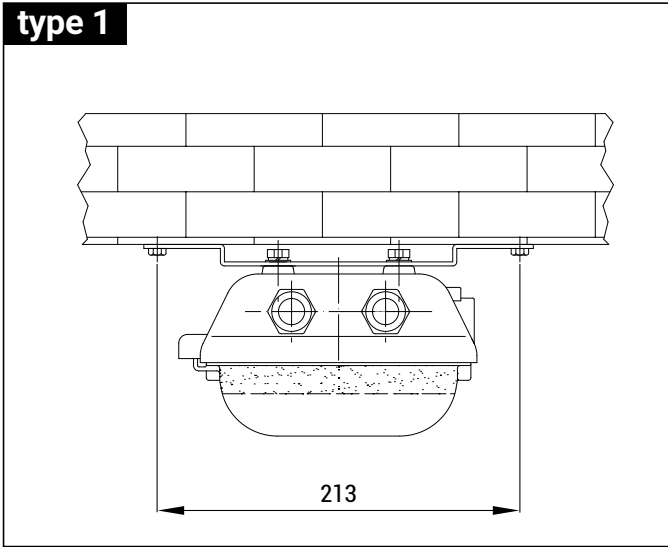




# AVC Installation and mounting details

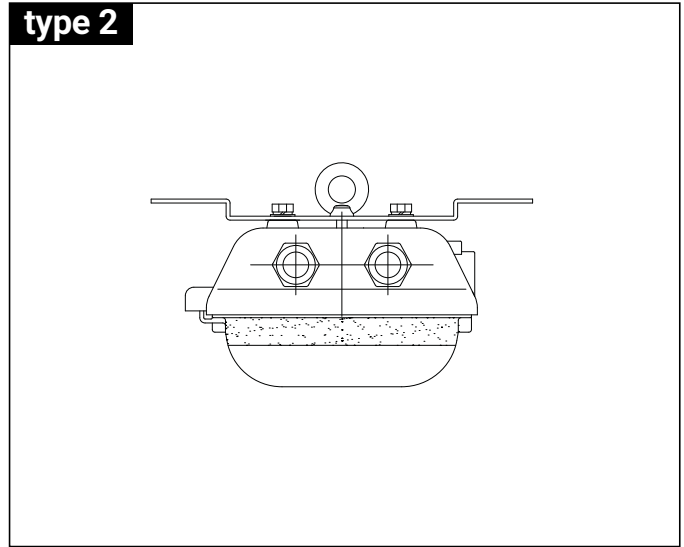
## Ceiling mounting

**type 1**



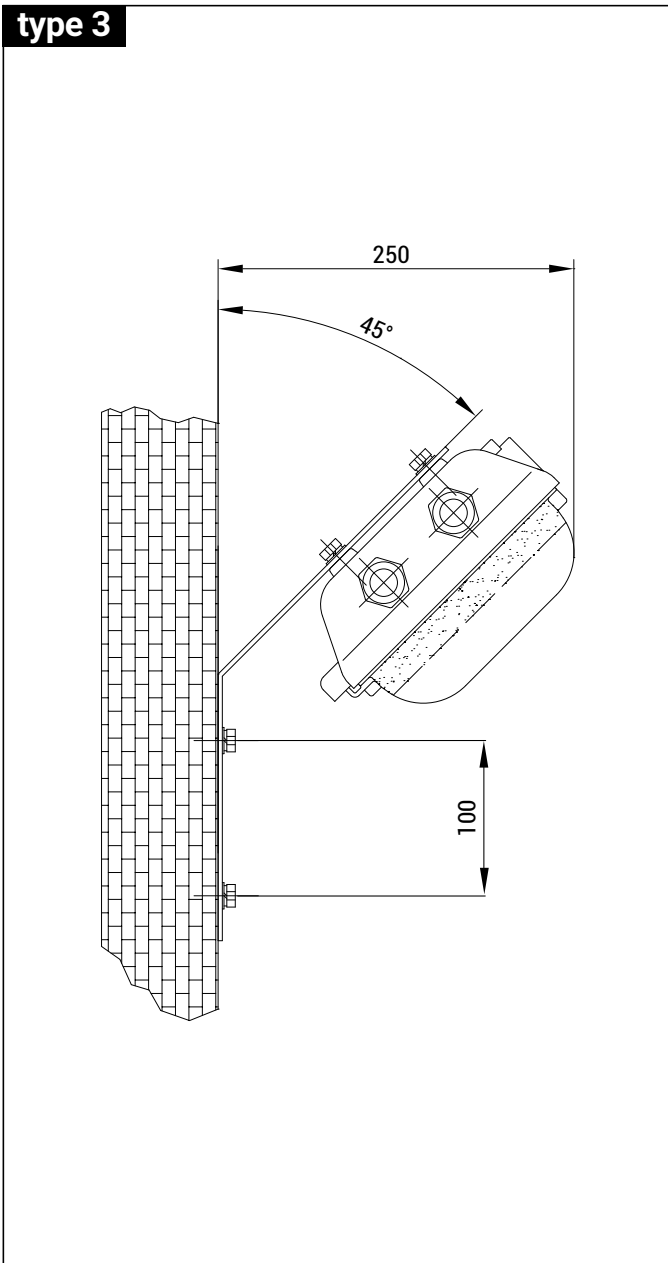
## Pendant mounting

**type 2**



## Wall/structure mounting

**type 3**



## Pole mounting Assemblig detail with pole (typical)

**type 4**

