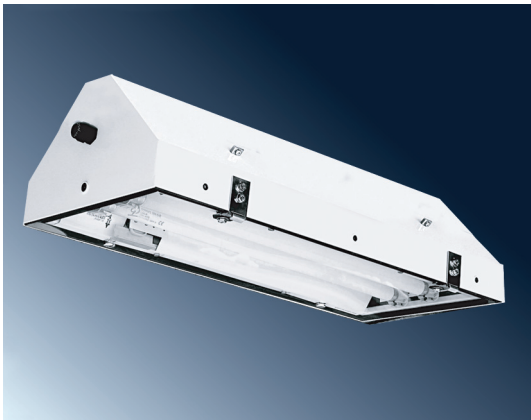


EXCALIBUR – Ex

IP 65



Application: EXCALIBUR-Ex dustproof light fixture with resistance against water jets is designed for premises with danger of explosion. Light fixture is certified by FTZÚ Ostrava-Radvanice (certificate FTZU 06 ATEX 0057X).

Ballast: Electronic ballast 220-250V/50-60Hz AC, 220-250V DC

Body: White painted metal sheet RAL9003

Cover: Tempered safety glass

Reflector: White painted metal sheet RAL9003

Fastening: Fastening with M8 screws through the base or with ceiling brackets, suspension via suspension brackets, into false ceiling by means of recessed frame.

Connection: WAGO® Ex terminal block, max. diameter of wires 4,0 mm²

Standard equipment: 1 pc sealing cable gland, 1 pc sealing plug

On request: **1F/3F** – one or three phase through-wiring connection

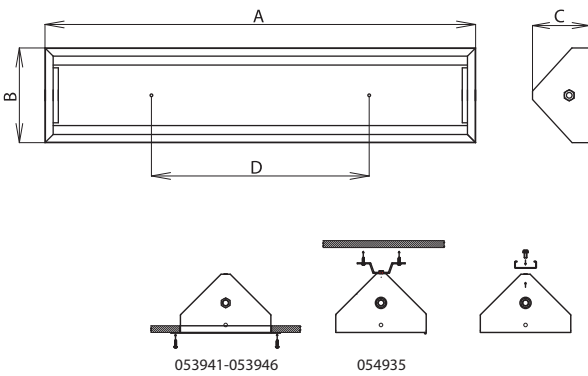
NEREZ – body from stainless steel sheet

RAL – another colour finishing

Providing with cable glands for armoured cables

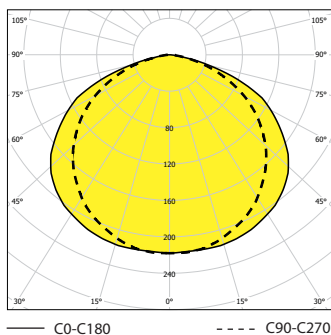


FTZU 06 ATEX 0057X

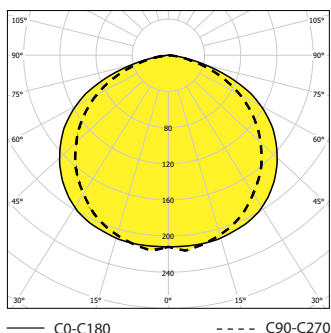


		Arb/Cd (mm)
– electronic ballast with disconnecter, -20°C ≤ t_a ≤ +40°C		
053220	EXCALIBUR-Ex-118-D, 1x18 W	701 x 302 x 195 x 450
053221	EXCALIBUR-Ex-218-D, 2x18 W	701 x 302 x 195 x 450
053222	EXCALIBUR-Ex-318-D, 3x18 W	701 x 302 x 195 x 450
053223	EXCALIBUR-Ex-418-D, 4x18 W	701 x 362 x 225 x 450
053224	EXCALIBUR-Ex-136-D, 1x36 W	1312 x 302 x 195 x 800
053225	EXCALIBUR-Ex-236-D, 2x36 W	1312 x 302 x 195 x 800
053226	EXCALIBUR-Ex-336-D, 3x36 W	1312 x 302 x 195 x 800
053227	EXCALIBUR-Ex-436-D, 4x36 W	1312 x 362 x 225 x 800
053228	EXCALIBUR-Ex-158-D, 1x58 W	1611 x 302 x 195 x 1100
053229	EXCALIBUR-Ex-258-D, 2x58 W	1611 x 302 x 195 x 1100
053230	EXCALIBUR-Ex-358-D, 3x58 W	1611 x 302 x 195 x 1100
053231	EXCALIBUR-Ex-458-D, 4x58 W	1611 x 362 x 225 x 1100
– special accessories		
053941	Recessed frame 1/2/3x18W – 384,4 x 775 mm (mounting hole 323 x 742 mm)	
053942	Recessed frame 4x18W – 443,4 x 775 mm (mounting hole 383 x 742 mm)	
053943	Recessed frame 1/2/3x36W – 384,4 x 1385 mm (mounting hole 323 x 1353 mm)	
053944	Recessed frame 4x36W – 443,4 x 1385 mm (mounting hole 383 x 1353 mm)	
053945	Recessed frame 1/2/3x58W – 384,4 x 1685 mm (mounting hole 323 x 1653 mm)	
053946	Recessed frame 4x58W – 443,4 x 1685 mm (mounting hole 383 x 1653 mm)	
054935	Set of stainless steel ceiling brackets (2 pcs)	
004642	Suspension bracket M8 (1 pc)	

EXCALIBUR-Ex, 2x36W, IP65



EXCALIBUR-Ex, 4x58W, IP65



Application of light fixtures in areas with danger of explosion

	Marking of external influences	Classification areas	
		Marking	Formation prescription
Danger of explosion of flammable dust	BE3N1	ZONE 21	ČSN EN 60079-14 ČSN EN 60079-10-2
Danger of explosion of flammable gases and vapors	BE3N2	ZONE 1	ČSN EN 60079-14 ČSN EN 60079-10-1

EXCALIBUR – Ex – D

- Ⓜ II 2G Ex d e ib mb IICT4 Gb
- Ⓜ II 2D Ex t IIIC Db T58°C; IP65

System of marking and overview of the approved variant of light fixtures

EXCALIBUR-Ex-xyy-D	EXCALIBUR-Ex with disconnecter
EXCALIBUR-Ex-xyy-2D	EXCALIBUR-Ex with two disconnectors and two ballast for two different voltages

x – marking number of lamps (1/2/3/4)

yy – lamp type (18/36/58)