

#### APPLICATION

The LED light fitting type FLX 310 LED is intended for use in places with an explosive gas and dust atmosphere. The light fitting is designed for use in the industrial areas and facilities, indoor and outdoor spaces.

Hazardous zones: 1, 2, 21, 22.

#### CONSTRUCTION

Housing: corrosion resistant grey polyurethanes painted aluminium, color RAL 7000

Diffuser: borosilicate glass tube

Gasket: Silicon

The light fitting is normally supplied with three LED linear sources, two entries M20 and wall/sealing mounting set.

#### TECHNICAL DATA

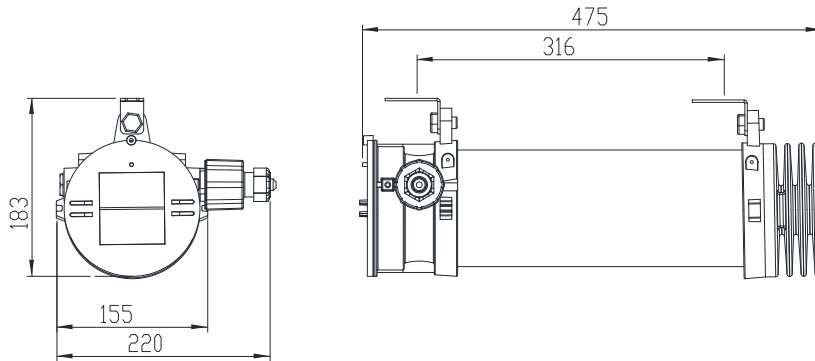
|  |   |
|--|---|
| <b>Certificate:</b>  | Certification in progress   |
| <b>Marking:</b>  | CE 0722   |
| <b>Apparatus category:</b>                                 | II 2GD  |
| <b>Marking of explosion protection:</b>                    | Ex d e IIC T6 Gb<br>Ex tb IIIC T80°C Db   |
| <b>Ambient temperature:</b>                                | $-20^{\circ}\text{C} \leq T_a \leq +50^{\circ}\text{C}$   |
| <b>Degree of protection:</b>                               | IP 66 category 1  |
| <b>Resistance to shock:</b>                                | IK 08   |
| <b>Protection class :</b>                                  | I (protective earthing)   |
| <b>Rated voltage:</b>                                      | 220-240 V<br>110V on request  |
| <b>Frequency:</b>  | 50-60 Hz  |
| <b>Power factor:</b>                                       | $\lambda=0,99$  |
| <b>Rated power:</b>  | 3x 10W  |
| <b>Lumen output:</b>                                       | 3000 lm   |
| <b>Maximum number of light fittings connection in line</b> | Suitable for linear lighting up to 20 modules   |
| <b>Connecting terminals:</b>                               | L1, L2, L3, N, PE - max. 2,5 mm <sup>2</sup><br>PE for outside earthing max. 2 x 6 mm <sup>2</sup>  |
| <b>Cable entry:</b>  | 2 x M20, according to EN 60079-1, ISO 965-1, ISO 965-3 or<br>2 x 3/4"NPT, according to ANSI/ASME B1.20.1 or<br>2 x M20, with one Ex d plugs and one adapter type ADP 03/24,<br>for cable $\phi 6-15$ mm |
| <b>Through wiring:</b>                                     | With two Ex d e adapter ADP 03/24 - 4 x 2,5 mm <sup>2</sup> , max. 16 A,  |
| <b>Weight:</b>   | 7 kg  |
| <b>Packing:</b>  | The packing contains: 1 pcs<br>540x230x200 mm   |

# FLX 310 LED

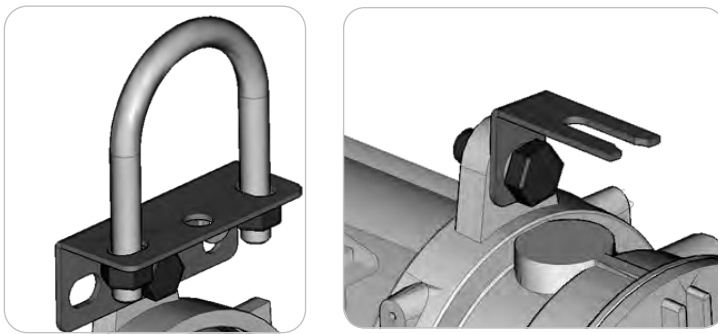
**MODEL CODE**

| TYPE        | WATTAGE | LUMINOUS FLUX [lm] $t_{amb}=25^{\circ}C$ | AMBIENT TEMP. | CRI The color rendering index | CCT (Correlated color temperature) [K] |
|-------------|---------|--|---------------|-------------------------------|--|
| FLX 310 LED | 3x 10W  | 3x 1010                                  | -20°C + 40°C  | >80                           | 4000                                   |

**DIMENSION DRAWING** (all dimensions in mm)



**MOUNTING**



Pendant, on pipe, wall, ceiling mounting  
Operates in any position.

**SPARE PARTS AND ACCESSORIES**

| SKETCH | DESCRIPTION             | CODE          | SKETCH | DESCRIPTION                     | CODE       |
|--------|-------------------------|---------------|--------|---------------------------------|------------|
|        | Cover gasket FLX        | FLX10-120     |        | Ex d cable gland SPU 20         | SPU 20     |
|        | Base plate FLX 310      | FLX LED10-310 |        | Ex d plug M20                   | SPC 20     |
|        | Protective grid FLX set | FLX 20-140    |        | FLX Wall / ceiling mounting set | FLX 20-170 |
|        | External reflector FLX  | FLX 20-150    |        | FLX Pipe mounting set           | FLX 20-180 |
|        | Junction box ADP 24     | ADP10-160     |        |                                 |            |