

LED

IP 66

IK08

T<sub>a</sub>  
C<sub>a</sub> +40  
-20

- Robust light alloy enclosure weighs only 3,5 kg
- Fast and easy installation
- PLFM 100/3 with E27 lampholder for LED bulb
- Estimated service life 70 000 hours
- LED module with 100lm/W

**CONSTRUCTION**

Housing: aluminium powder painted casting

Diffuser: borosilicate glass

Accessories: protected galvanized steel gird (INOX on request), assembly kit for wall, pipe and ceiling mounting

Standard version without protected grid

**TECHNICAL DATA**

<b>Certificate:</b>	EXA 14 ATEX 0056X
<b>Marking:</b>	CE 0722
<b>Apparatus category:</b>	II 2G II 2D
<b>Marking of explosion protection:</b>	Ex de IIC T6 Gb Ex tb IIIC T80°C Db
<b>Ambient temperature:</b>	-20°C ≤ T <sub>a</sub> ≤ +40°C
<b>Degree of protection:</b>	IP 66 category 1
<b>Resistance to shock:</b>	IK 08
<b>Protection class :</b>	I (protective earthing)
<b>Rated voltage:</b>	230 V
<b>Frequency:</b>	50Hz (60Hz on request)
<b>Rated power:</b>	20 W
<b>Connecting terminals:</b>	terminals L1 + N for 2 x 4 mm <sup>2</sup> terminals PE for 2 x 4 mm <sup>2</sup>
<b>Cable entry:</b>	2x M20 (1x M20 Ex de adapter ADP 23/1 for cable 7-15mm, 1x Exd M20 plug)
<b>Weight:</b>	3,5 kg
<b>Packing:</b>	The packing contains: 2 pcs
<b>MOUNTING</b>	440x260x170mm

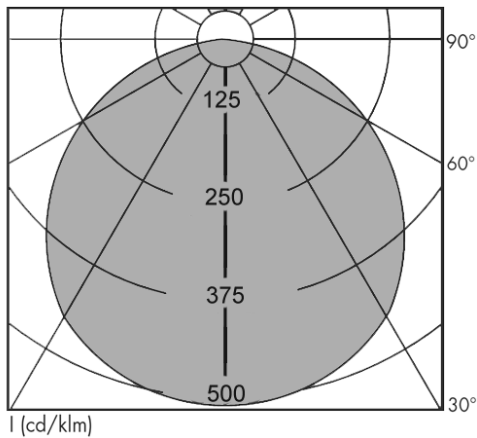
Pendant, on pipe, wall, ceiling

# Pendant LED light fitting

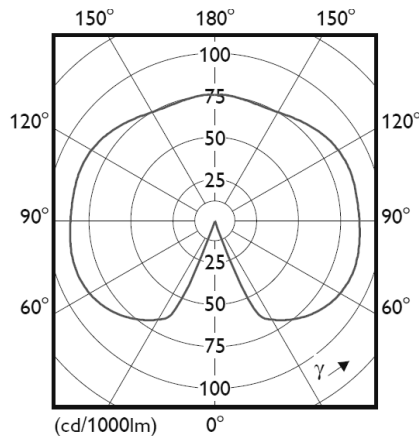
## MODEL CODE

MODEL CODE	POWER CONSUMPTION [W]	VOLTAGE [V]	LUMINOUS FLUX [lm]	LIGHT OUTPUT RATIO $\eta$
PLFM 100/3-	12 W Osram 13 W Philips	230V	810 1055	0,80
PLFM 20 LED	LED module		2000	

## POLAR CURVE

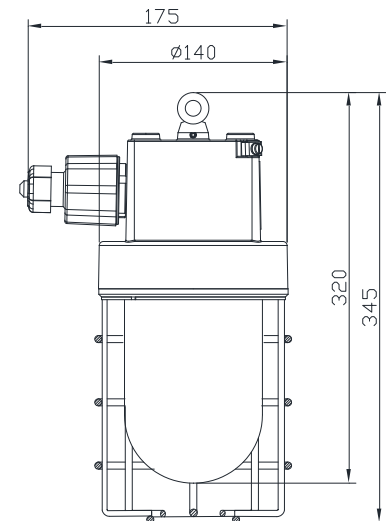


LED module  
20W, 2000 lm



Master LEDbulb Osram  
12W, 810 lm

## DIMENSION DRAWING



## SPARE PARTS AND ACCESSORIES

SKETCH	DESCRIPTION	CODE	SKETCH	DESCRIPTION	CODE
	Replacement glass PLFM	PLFM 10-120		Ex d metal plug M20	SPC 20
	Wire guard PLFM	PLFM 10-130		LED bulb E27	prema tablici izvedbi
	Gasket PLFM	PLFM 10-140		PLFM mounting bracket for pipe R2"	PLFM 20-120
	PLFM LED modul, set	PLFM 10-170		PLFM mounting bracket (ceiling)	PLFM 20-130
	Adapter ADP 23/1	PLFM 20-110		PLFM mounting bracket (wall)	PLFM 20-140

## Example of equivalent "traditional" light sources with Ex LED

LED		QT (halogen)		CFL (compact fluo)	
PLFM 20 LED		PLFM 100 QT		PLFM 100/2	
	17W 100 lm/W		100W 18 lm/W		23W 65 lm/W

The given information is for rough orientation only. In each individual case a lighting calculation is necessary.

All technical data is relevant at the time of print.