

# EXTEND – Ex – T

# IP 67



**Application:** EXTEND-Ex-T dustproof light fixture with resistance against water jets is designed for premises with danger of explosion. Light fixture is certified by FTZÚ Ostrava-Radvanice (certificate FTZÚ 10 ATEX 0144X).

**Ballast:** Electronic ballast 220-250V/50-60Hz AC, 220-250V DC; Em variant 230V/50-60Hz AC

**Body:** Plastic tube with outer diameter of 150 mm and wall thickness of 3 mm made from PC (polycarbonate), transparent colour; stainless steel sealing plugs at the ends of tube

**Reflector:** White painted metal sheet RAL9003

**Fastening:** Direct fastening on the carrier base with mounting brackets, fastening on ceiling or wall by means of set of ceiling brackets or suspension with suspension brackets.

**Connection:** WAGO® Ex terminal block, max. diameter of wires 4,0 mm<sup>2</sup>

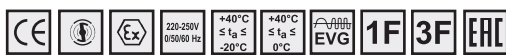
**Standard equipment:** 1 pc stainless steel sealing cable gland, 1 pc stainless steel sealing plug, 2 pcs mounting bracket

**On request:** Em – non-maintained emergency lighting (1 h, 3 h) – see page 188

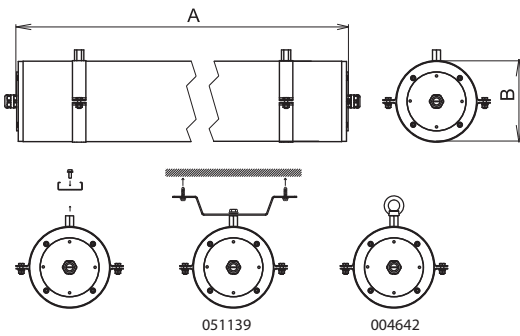
**MULTI** – maintained emergency lighting (1 h, 3 h) – see page 188

**1F/3F** – one or three phase through-wiring connection

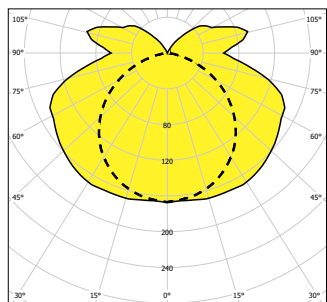
Providing with cable glands for armoured cables



FTZÚ 10 ATEX 0144X

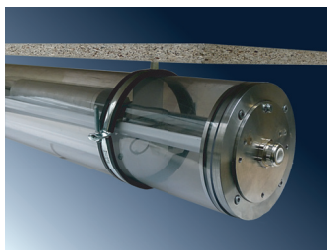


EXTEND-Ex-T, 2x36W, IP67

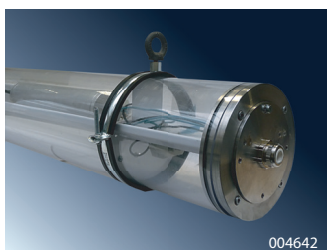


— C0-C180

- - - C90-C270



004642



051139

Ⓜ	Ⓜ	Ⓜ	AxB (mm)
---	---	---	----------

**– electronic ballast without disconnector, -20°C ≤ t<sub>a</sub> ≤ +40°C**

053266	EXTEND-Ex-T-118-WOD, 1x18W		985x150
053267	EXTEND-Ex-T-218-WOD, 2x18W		985x150
053268	EXTEND-Ex-T-136-WOD, 1x36W		1595x150
053269	EXTEND-Ex-T-236-WOD, 2x36W	T26/G13	1595x150
053270	EXTEND-Ex-T-158-WOD, 1x58W		1895x150
053271	EXTEND-Ex-T-258-WOD, 2x58W		1895x150

**– electronic ballast with disconnector, -20°C ≤ t<sub>a</sub> ≤ +40°C**

053260	EXTEND-Ex-T-118-D, 1x18W		985x150
053261	EXTEND-Ex-T-218-D, 2x18W		985x150
053262	EXTEND-Ex-T-136-D, 1x36W		1595x150
053263	EXTEND-Ex-T-236-D, 2x36W	T26/G13	1595x150
053264	EXTEND-Ex-T-158-D, 1x58W		1895x150
053265	EXTEND-Ex-T-258-D, 2x58W		1895x150

**– non-maintained emergency mode, duration 1 h, t<sub>a</sub> 0-40°C**

053272	EXTEND-Ex-T-118-Em, 1x18W		985x150
053273	EXTEND-Ex-T-136-Em, 1x36W	T26/G13	1595x150
053274	EXTEND-Ex-T-158-Em, 1x58W		1895x150

**– electronic ballast, maintained emergency mode, duration 1h, t<sub>a</sub> 0-40°C**

053275	MULTIEXTEND-Ex-T-118, 1x18W		985x150
053276	MULTIEXTEND-Ex-T-218, 2x18W		985x150
053277	MULTIEXTEND-Ex-T-136, 1x36W		1595x150
053278	MULTIEXTEND-Ex-T-236, 2x36W	T26/G13	1595x150
053279	MULTIEXTEND-Ex-T-158, 1x58W		1895x150
053280	MULTIEXTEND-Ex-T-258, 2x58W		1895x150

**– special accessories**

051139	Set of ceiling brackets (2 pcs)		
004642	Suspension bracket M8 (1 pc)		

**Application of light fixtures in areas with danger of explosion**

	Marking of external influences	Marking	Classification areas	
			Formation prescription	
Danger of explosion of flammable dust	BE3N1	ZONE 21	ČSN EN 60079-14	ČSN EN 60079-10-2
Danger of explosion of flammable gases and vapors	BE3N2	ZONE 1	ČSN EN 60079-14	ČSN EN 60079-10-1

EXTEND- Ex-T	EXTEND- Ex-T-WOD
Ⓜ II 2G Ex d e mb IIA T4 Gb	Ⓜ II 2G Ex e mb IIA T4 Gb
Ⓜ II 2D Ex t IIIC T 70°C Db; IP 67	Ⓜ II 2D Ex t IIIC T 70°C Db; IP 67

EXTEND-Ex-T-y36-WOD	EXTEND-Ex - P without disconnector
EXTEND-Ex-T-y36-D	EXTEND-Ex - P with disconnector
EXTEND-Ex-T-y36-2D	EXTEND-Ex - P with two disconnectors
EXTEND-Ex-T-y36-1P	EXTEND-Ex - P+ with one-phase through wiring connection
EXTEND-Ex-T-y36-3P	EXTEND-Ex - P+ with three-phase through wiring connection

y – marking number of lamps (1 / 2)

This project has been funded with support from the state budget through the Ministry of Industry and Trade

CVUT – Faculty of Electrical Engineering cooperated on this project.