



APPLICATION

The floodlight is designed to light the industrial areas and facilities, also outdoor spaces with an explosion hazard of gases, vapors and flammable fogs mixed with air.
 Hazardous zones: 1, 2, 21, 22.

CONSTRUCTION

Housing: aluminium powder painted casting
 Diffuser: borosilicate tube glass
 Accessories: protected galvanized steel gird, assembly kit for wall, pipe and ceiling mounting

RLF

TECHNICAL DATA

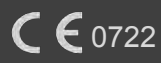
| | |
|---|--|
| Certificate: | EXA 14 ATEX 0047 |
| Marking: | CE 0722 |
| Apparatus category: | II 2GD |
| Marking of explosion protection: | II 2G Ex d e IIC T3/T4; Ex d IIC T4/T3 II 2D Ex tD A21 IP66 T190°C/T130° |
| Ambient temperature: | -20°C ≤ Ta ≤ +40°C - according to selection table |
| Degree of protection: | IP 66 category 1 |
| Resistance to shock: | IK 08 |
| Protection class : | I (protective earthing) |
| Rated voltage: | RLF/... HIT,HST,HME,QT -230/240 V (-10% / +6%) / 50 Hz RLF/... QL -230 V (200-277 V) - 50/60 Hz or (190-264 V) - DC |
| Frequency: | 50Hz (60Hz on request) |
| Rated power: | See selection table |
| Power factor: | RLF/... HIT,HST,HME,QT - cos φ > 0,9 ind. RLF/... QL - λ > 0,92 THD < 10 % |
| Cable entries: | RLF/... HIT,HST,HME,QT - three entries M20, with two Ex d plug and one Ex de adapter, type ADP 03/23, for cable φ6-15 mm RLF/... QL - two entries M25 into Ex e junction box with one Ex e cable gland , type SPU 25, for cable φv 6-15 mm and one Ex e plug, type SPC 25 |
| Connecting terminals: | RLF/... HIT,HST,HME,QT -clamps in Ex de adapter for connection L1, L2, N, PE, 2,5mm2 max. / clamp - solid, stranded; tightening torque for clamp screw 1,2 Nm; |
| Weight: | See selection table |
| Packing: | The packing contains: 1 pcs 600x400x300 mm |

MOUNTING

Pendant, on pipe, wall, ceiling mounting
 Wall or ceiling mounting is possible with RLF carrier and M12 screws. Also, it is possible to fixate luminaire to 2" pipe or other round surface with U-Bolts.



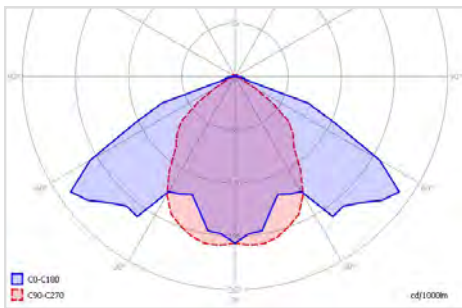
EXA 14 ATEX 0047



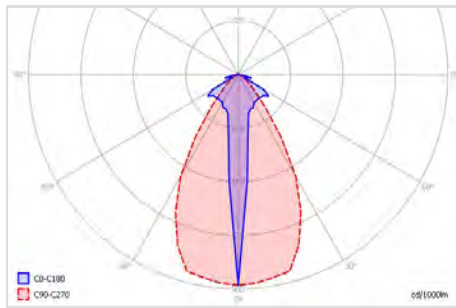
MODEL CODE

| MODEL CODE | WATTAGE | LAMP TYPE | LUMINOUS FLUX [lm] | LAMP HOLDER | TEMPERATURE CLASS (gas) | T ₀ MAX (dust) | WEIGHT |
|-------------|---------|-----------|--------------------|-------------|-------------------------|---------------------------|--------|
| | | | | | T _a =40°C | T _a =40°C | |
| RLF/250 HIT | 250 W | HIE | 20000 | E40 | T4 | 130°C | 25 kg |
| RLF/250 HST | | HST | 33200 | | | | |
| RLF/250 HME | | HME | 13000 | | | | |
| RLF/400 HIT | 400 W | HIE | 34000 | | T3 | 190°C | 27 kg |
| RLF/400 HST | | HST | 56500 | | | | |
| RLF/400 HME | | HME | 22000 | | | | |
| RLF/500 QT | 500 W | QT | 6300 | QL | T4 | 130°C | 22 kg |
| RLF/85 QL | 85 W | QL | 6300 | | | | |
| RLF/165 QL | 165 W | QL | 12000 | | | | |

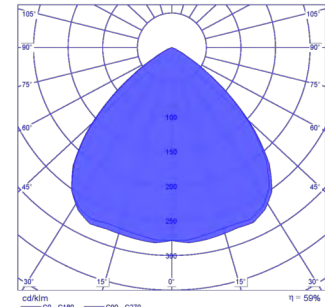
POLAR CURVE, DIMENSION DRAWING [mm]



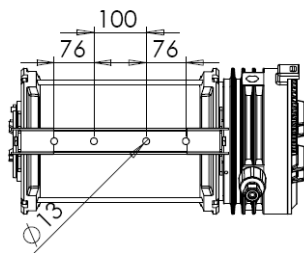
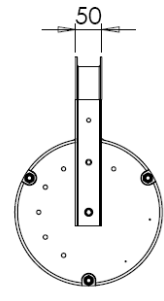
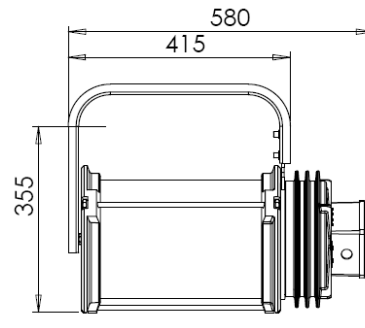
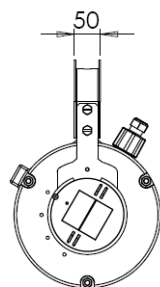
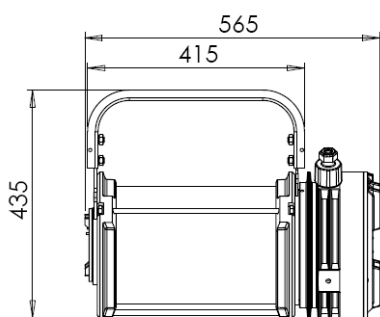
Wide beam reflector



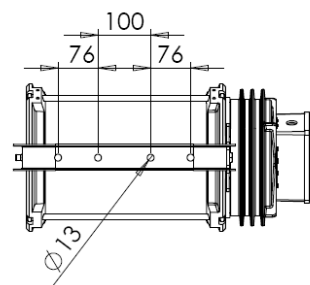
Narrow beam reflector



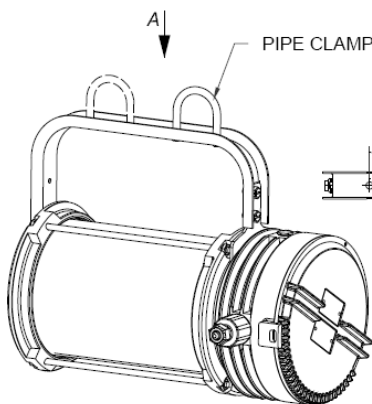
QL 165 W



RLF/...

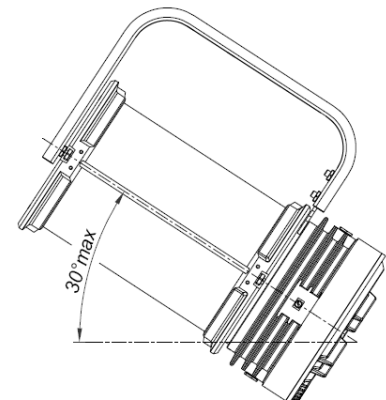
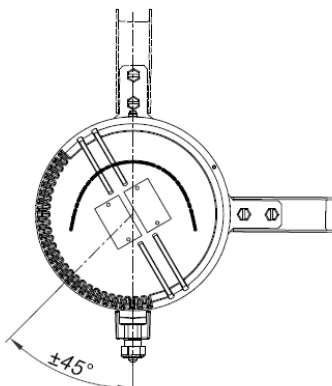
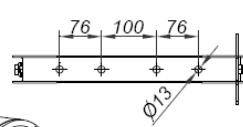


RLF/..QL



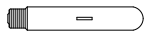



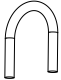



PIPE CLAMP max. 2"

View "A"

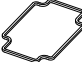




SPARE PARTS AND ACCESSORIES

If it is not ordered differently, floodlight **RLF/ ... HIT,HST,HME,QT** presume floodlight with RLF carrier, one Ex de adapter ADP 03/32 and two Ex d plugs, without light source and mounting accessories. Manufacturer will deliver spare parts and accessories on buyer request.

| SKETCH | DESCRIPTION | CODE | SKETCH | DESCRIPTION | CODE |
|---|-------------------------|------------|---|--------------------|------------|
|  | Light bulb | RLF 10-110 |  | Base plate HME Set | RLF 20-120 |
|  | Mounting screw M12x40 | RLF 10-120 |  | Gasket RLF | RLF 20-130 |
|  | U screw M12 | RLF 10-130 |  | Adapter Ex d e | ADP 23/1 |
|  | Base plate HIT, HST Set | RLF 20-110 |  | Ex d plug M20 | RLF 20-140 |

If it is not ordered differently, floodlight **RLF/... QL** presume floodlight with RLF QL carrier, one Ex e junction box MMK 13 with Ex e connecting terminals, Ex e M25 cable gland, Ex e M25 plug, and Philips QL Induction Lighting System, without mounting accessories. Manufacturer will deliver spare parts and accessories on buyer request.

| SKETCH | DESCRIPTION | CODE | SKETCH | DESCRIPTION | CODE |
|---|----------------------|---------------|---|---------------|--------|
|  | MMK 13 gasket | RLF QL 10-110 |  | Ex e plug M25 | SPC 25 |
|  | Ex e cable gland M25 | SPU 25 | | | |



EXA 14 ATEX 0047



0722

