

# FILA – N

# IP 65



**Application:** FILA-N recessed dustproof light fixture with resistance against water jets is designed for premises with danger of explosion. They can be used in paint boxes and paint shops. Light fixture is certified by FTZÚ Ostrava-Radvanice (certificate FTZU 05 ATEX 0043X).

**Ballast:** EP – electronic ballast 220-240V/50-60Hz AC

**Body:** White painted metal sheet RAL9003

**Cover:** Tempered safety glass

**Reflector:** White painted metal sheet RAL9003

**Fastening:** Fastening to the false ceiling on the wall (care must be taken on a sufficiently rigid carrier substrate)

**Connection:** Screwless five-pole terminal block, max. diameter of wires 2,5 mm<sup>2</sup>

**Standard equipment:** 1 pc sealing cable gland, 1 pc sealing plug

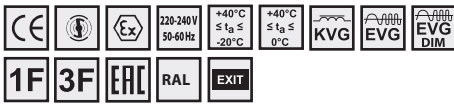
**On request:** Em – non-maintained emergency lighting (1 h, 3 h) – see page 188

**MULTI** – maintained emergency lighting (1 h, 3 h) – see page 188

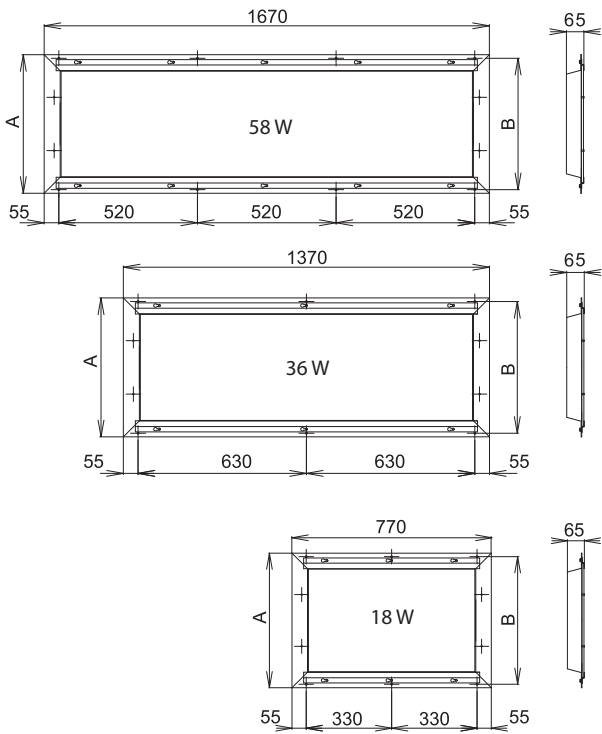
**1F/3F** – one or three phase through-wiring connection

**RAL** – another colour finishing

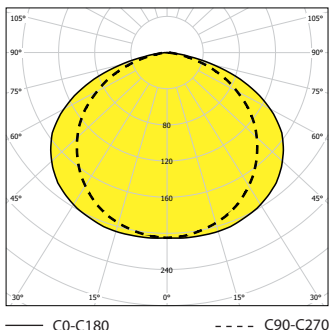
**NEREZ** – body from stainless steel sheet



**FTZÚ 05 ATEX 0043X**



FILA-N, 4x58W, IP65



Code	Model	Mounting	Dimensions (mm)
<b>- electronic ballast, -20°C ≤ t<sub>a</sub> ≤ +40°C</b>			
053976	FILA-N-218-EP, 2x18W		380 x 360
053954	FILA-N-236-EP, 2x36 W		380 x 360
053953	FILA-N-258-EP, 2x58 W		380 x 360
053977	FILA-N-336-EP, 3x36W	T26/G13	530 x 510
053983	FILA-N-358-EP, 3x58W		530 x 510
053952	FILA-N-418-EP, 4x18 W		530 x 510
053951	FILA-N-436-EP, 4x36 W		530 x 510
053950	FILA-N-458-EP, 4x58 W		530 x 510
<b>- electronic ballast, duration 1h, t<sub>a</sub> 0-40°C</b>			
053958	MULTIFILA-N-236-EP, 2x36 W, 1h		380 x 360
053956	MULTIFILA-N-258-EP, 2x58 W, 1h		380 x 360
053959	MULTIFILA-N-418-EP, 4x18 W, 1h	T26/G13	530 x 510
053957	MULTIFILA-N-436-EP, 4x36 W, 1h		530 x 510
053955	MULTIFILA-N-458-EP, 4x58 W, 1h		530 x 510
<b>- special equipment</b>			
008060	Cable gland Ex M20x1,5		
008097	Plastic nut WISKA EMUG 20 M20x1,5		
008090	Sealing plug Ex M20x1,5		

**Application of light fixtures in areas with danger of explosion**

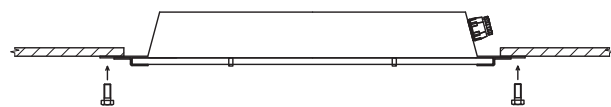
Marking of external influences	Classification areas	
	Marking	Formation prescription
Danger of explosion of flammable dust	BE3N1	ZÓNA 22 ČSN EN 60079-14 ČSN EN 60079-10-2
Danger of explosion of flammable gases and vapors	BE3N2	ZÓNA 2 ČSN EN 60079-14 ČSN EN 60079-10-1

**FILA-N-EP**

2x36/58W	⊕ II 3G Ex nA IICT4 Gc ⊕ II 3D Ex tc IIIC T 60°C Dc
4x18/36/58W	⊕ II 3G Ex nA IICT4 Gc ⊕ II 3D Ex tc IIIC T 60°C Dc

**MULTIFILA-N-EM**

2x36/58W	⊕ II 3G Ex nA IICT4 Gc ⊕ II 3D Ex tc IIIC T 60°C Dc
4x18/36/58W	⊕ II 3G Ex nA IICT4 Gc ⊕ II 3D Ex tc IIIC T 60°C Dc



- Dimensions of mounting hole:
- 4x58W – 1550 x 482 mm
  - 4x36W – 1250 x 482 mm
  - 4x18W – 650 x 482 mm
  - 2x58W – 1550 x 332 mm
  - 2x36W – 1250 x 332 mm

LIGHTING FIXTURES FOR POTENTIALLY EXPLOSIVE ATMOSPHERES – ZONE 2,22